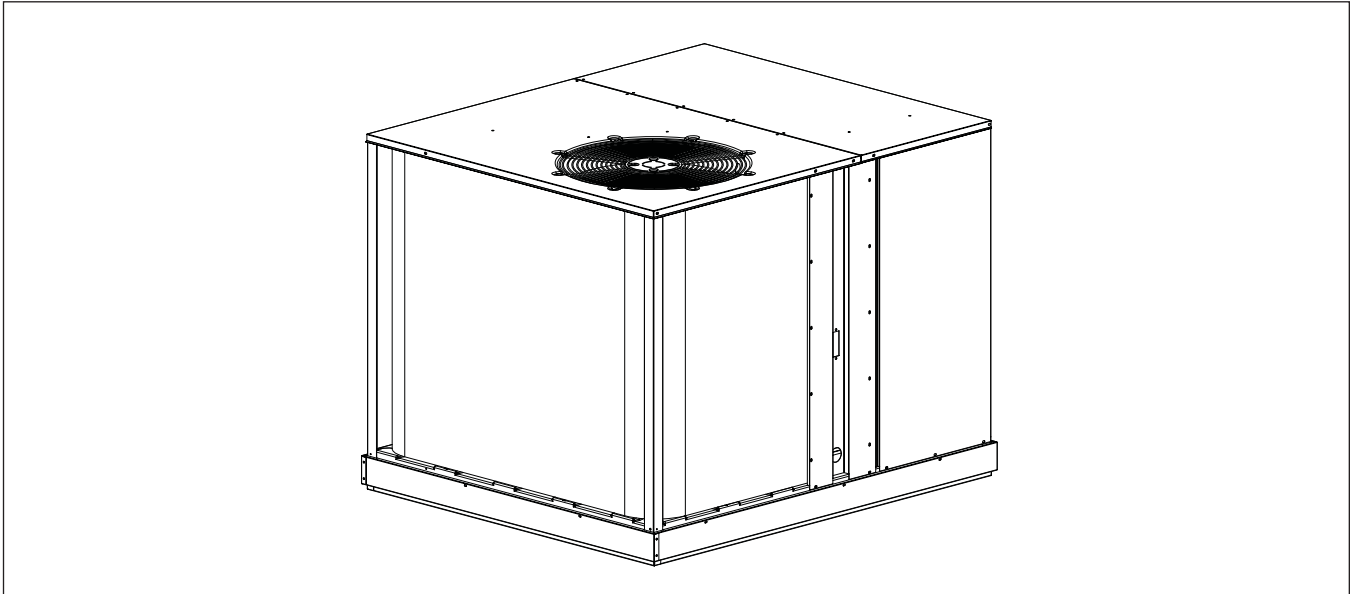
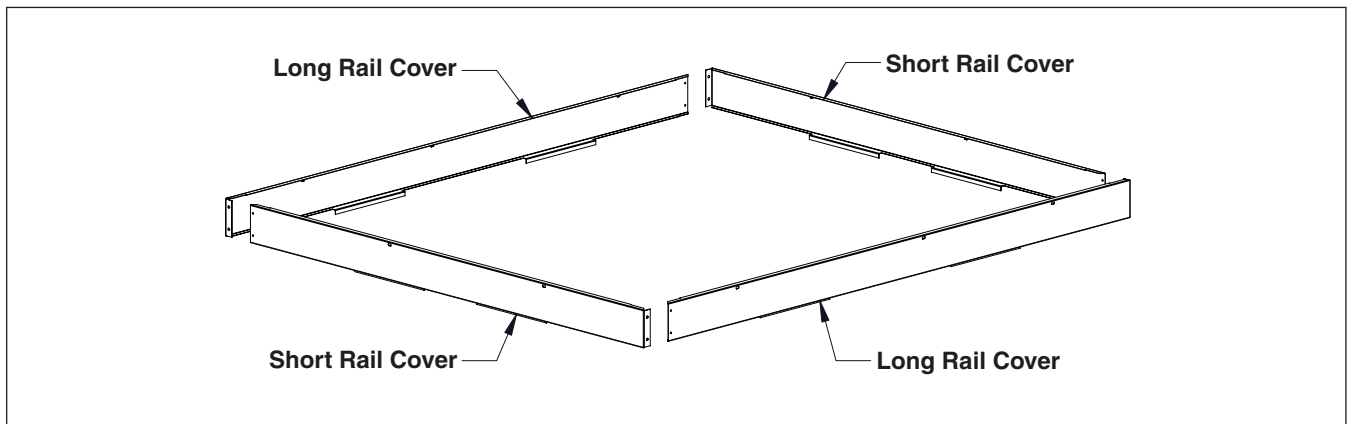


Skirt Trim Kit – 919729(B)

Installation Instructions



Rail Covers Installed



Rail Covers

INTRODUCTION

This Skirt Trim Kit contains four color coordinated sheet metal panels which mount over the unpainted unit base rails. When assembled per these instructions they will provide a clean finished appearance. They are primarily designed for units that are installed at ground level where they are visible to the general public; however they may also be installed on roof mounted units to enhance the overall appearance of the equipment.

This Kit Includes:

- Installation Instructions – Part Number 708738
- Two (2) Long Rail Covers – Part Number 29611(B)
- Two (2) Short Rail covers – Part Number 28612(B)
- Ten (10) #10 Sheet Metal Screws x 1 1/4" long.

INSTALLATION

1. Remove only the three (3) sheet metal screws from the long base rails and only the two (2) sheet metal screws from the short base rails on each side which corresponds to the slotted holes in the rail covers. (See Figure 1a and Figure 1b below) Note the base rails will remain attached to the base pan with the screws you have not removed. **DO NOT DISCARD THE SCREWS REMOVED.** You will reuse eight (8) of these screws later in the corner flanges of the rail covers, see Step 6 below.

NOTE: If the underside shipping boards and brackets have not been removed from the unit they should be removed before proceeding. Do not discard the shipping boards and brackets if there is a chance that the Unit will have to be handled with a fork truck in the future.

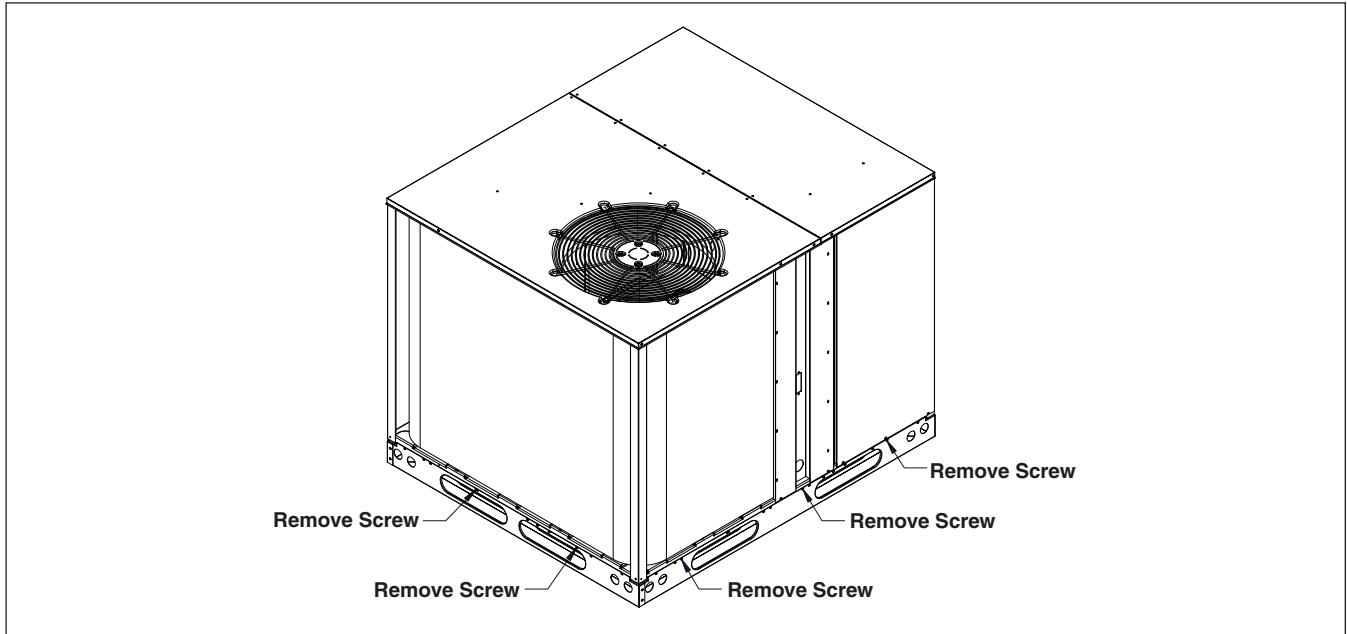


Figure 1a

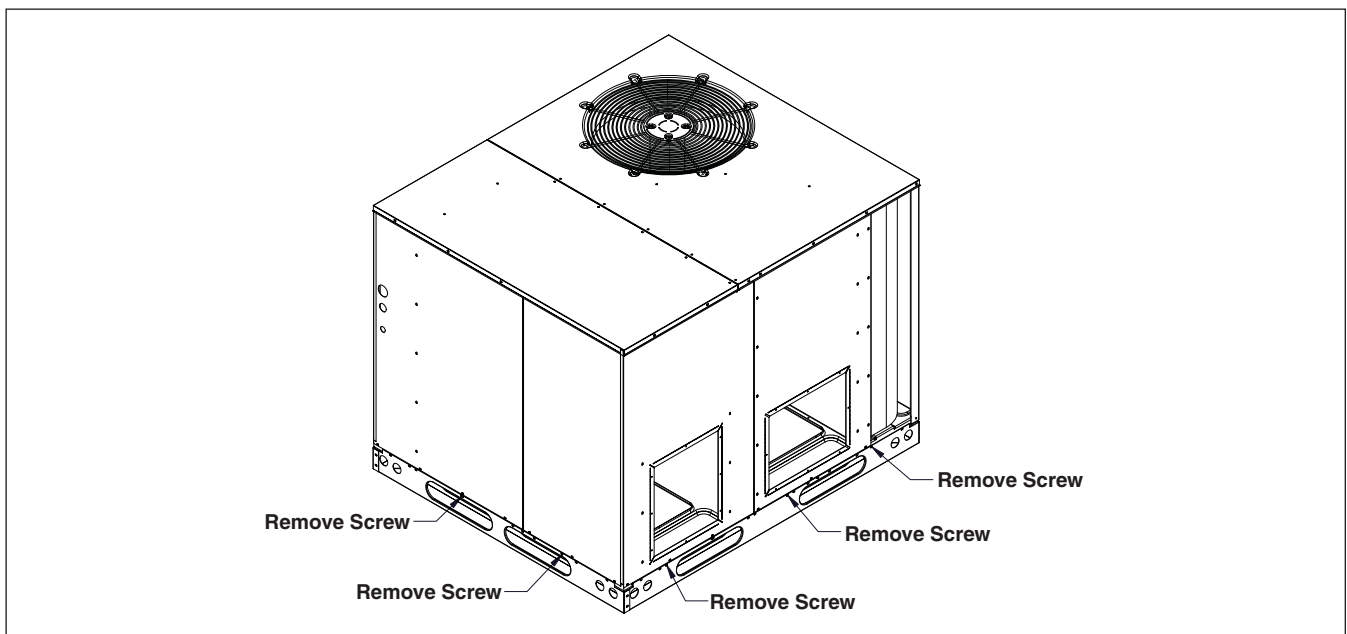


Figure 1b

2. Install the first long rail cover by hooking the offset flanges of the rail cover into the fork truck openings of the base rail. (See Figure 2a below) Then rotate the rail cover up against the base pan wherein the upper edge of the rail cover is above the base rail and below the side sheet metal. (See Figure 2b below) Then where you had removed the #10 x 1/2" screws in step 1 use the #10 x 1 1/4" to loosely secure the rail cover to the unit base. – DO NOT TIGHTEN SCREWS.

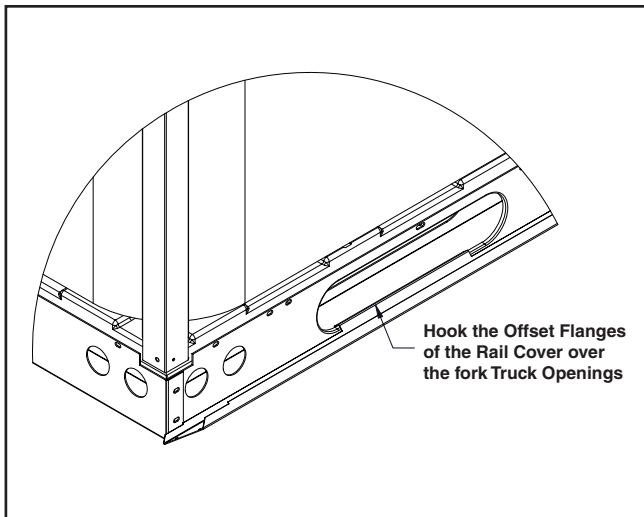


Figure 2a

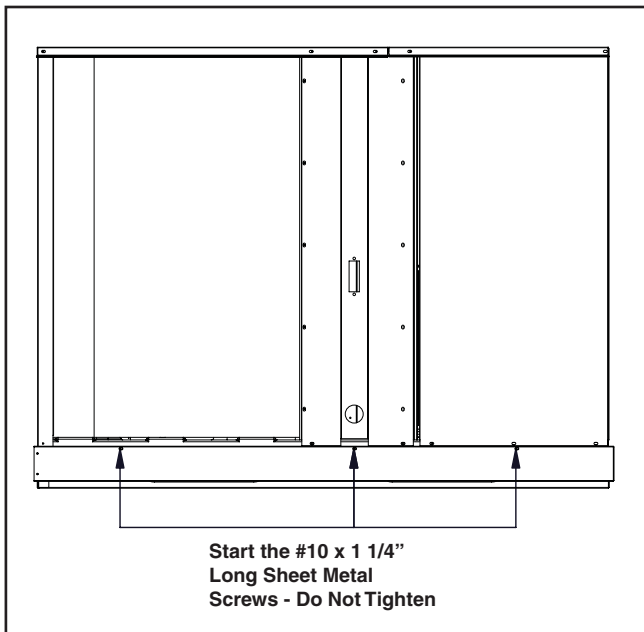


Figure 2b

3. Install the first short rail cover by hooking the offset flanges of the rail cover into the fork truck openings of the base rail, as above, except holding it to the right and against the base pan wherein the upper edge of the rail cover is above the base rail and below the side sheet metal. (See Figure 3a below) slide the rail cover to the left wherein the left edge of the rail cover is under the right side flange of the previously attached rail cover. (See Figure 3b below) Then where you had removed the #10 x 1/2" screws in Step 1 use the #10 x 1 1/4" sheet metal screws to loosely secure the rail cover to the unit base. – DO NOT TIGHTEN SCREWS.

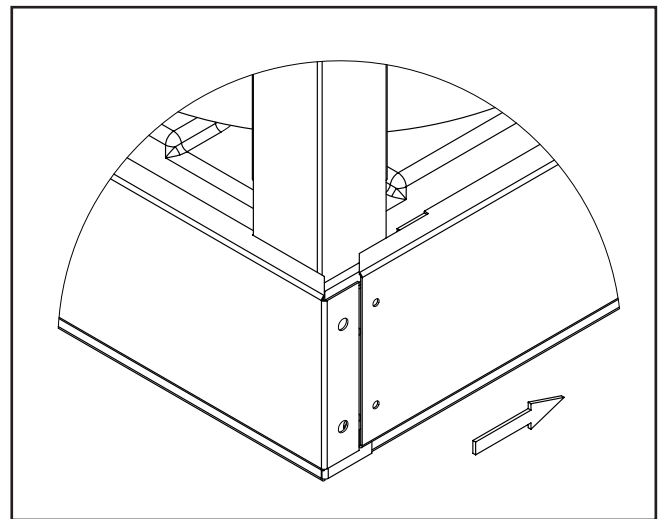


Figure 3a

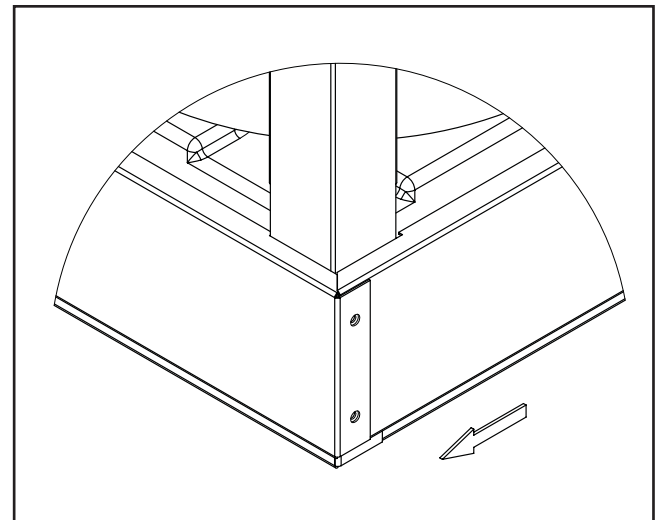


Figure 3b

4. Install the second long rail cover by hooking the offset flanges of the rail cover into the fork truck openings of the base rail, as above, holding it to the right to clear the flange of the previously attached rail cover. Then rotate the rail cover up against the base pan wherein the upper edge of the rail cover is above the base rail and below the side sheet metal. (See Figure 3a above) slide the rail cover to the left wherein the left edge of the rail cover is under the right side flange of the previously attached rail cover. (See Figure 3b above) Then where you had removed the #10 x 1/2" Screws in Step 1 use the #10 x 1 1/4" sheet metal screws to loosely secure the rail cover to the unit base. – DO NOT TIGHTEN SCREWS.
 5. Install the second short rail cover by hooking the offset flanges of the rail cover into the fork truck openings of the base rail, as above, holding it to the right to clear the flange of the previously attached rail cover. Then rotate the rail cover up against the base pan and over the left edge of the previously installed rail cover, wherein the upper edge of the rail cover is above the base rail and below the side sheet metal.
- (See Figure 3a above) Slide the rail cover to the left wherein the left edge of the rail cover is under the right side flange of the previously attached rail cover. (See Figure 3b above) Then where you had removed the #10 x 1/2" screws in Step 1 use the #10 x 1 1/4" sheet metal screws to loosely secure the rail cover to the unit base. – DO NOT TIGHTEN SCREWS.
6. Secure the four corner flanges of all the rail covers to the underling rail covers with the eight (8) of the screws you had removed and saved in Step 1 above. (See Figure 4 below) Two (2) screws in each rail cover corner flanges. The two unused screws from Step 1 above are extra and may be discarded.
 7. The last step is to HAND TIGHTEN, the #10 1 1/4" long sheet metal screws holding the rail covers to the unit base. Note: Too much torque will distort the rail covers.

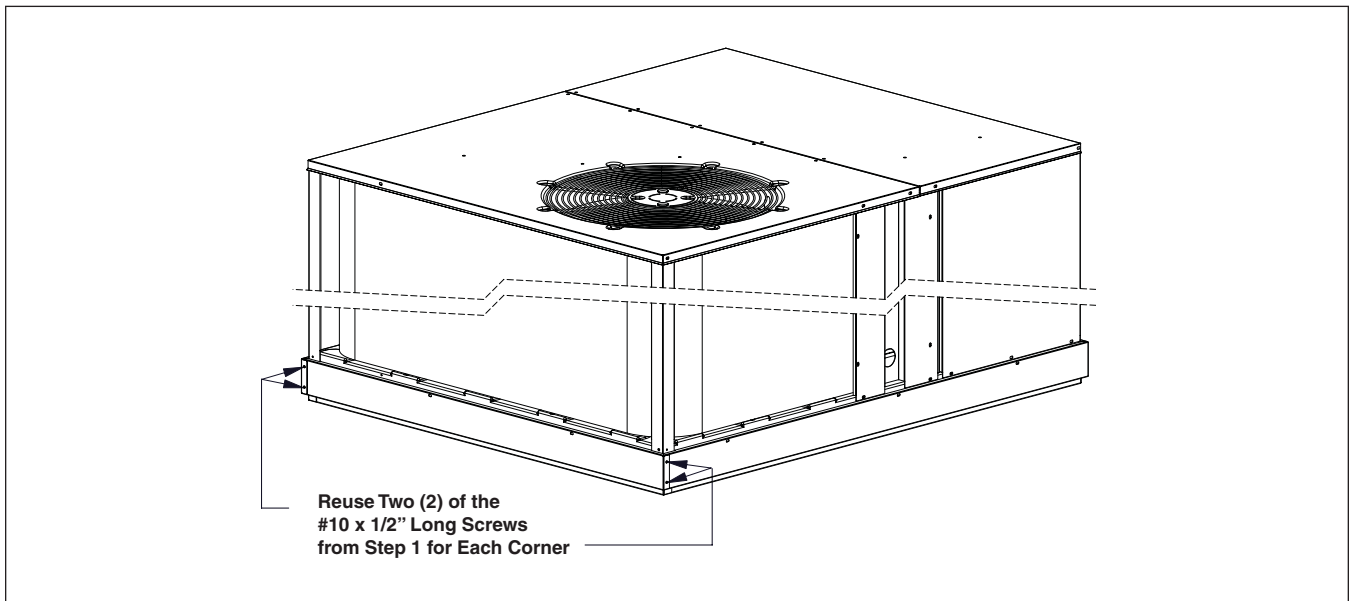


Figure 4

**INSTALLER: PLEASE LEAVE THESE INSTALLATION
INSTRUCTIONS WITH THE HOMEOWNER.**

