

Installation of Outside Air Hood Option AS2, Option AS16, and Option AS19

Applies to: Model Series ADF, ADFH;
RCB, RDB, RDCB, RDDB,
RECB, REDB; RCC, RDC,
RDCC, RDDC, RECC, REDC;
RDH, REH, RHH, RXH;
RPB; RPBL; RPDBL;
Blower Cabinet Model RBL;
Packaged Rooftop Models
JDHA, JDMA, YDHA, YDMA, YDSA

TABLE OF CONTENTS

NOTE: Model RDF Series is not included in these instructions. See Form I-RDF for information on outside air hood installation for Model RDF.

1. Installation Requirements for all Hood Options	1
2. Hood Description and Application.....	2
2.1 Hood Option AS2	2
2.2 Hood Option AS16	2
2.3 Hood Option AS19	2
3. Components, Dimensions, and Installation Instructions by Models.....	2
3.1 Option AS2, Outside Air Hood, for RDH, REH, RHH, RXH	2
3.2 Option AS16 and Option AS19 on MAPS®III & IV Cabinet Sizes A, B, and C, Models RCB/RDB/RDCB/RDDB/RECB/REDB/RCC/RDC/RDCC/RDDC/RECC/REDC	4
3.3 OPTION AS16 for MAPS®III Cabinet D Models RCB/RDB/RDCB/RDDB/RECB/REDB	8
3.4 Option AS2, Outside Air Hood, for Models ADF/ADFH; (H)RPB; RPBL; RBA/RBL	11
3.5 Option AS16, Outside Air Hood, for JDHA, JDMA, YDHA, YDMA, YDSA.....	13

1. Installation Requirements for all Hood Options

To avoid possible damage during lifting, it is recommended that the outside air hood be installed after the unit has been placed on the roof. The hood should be installed before the unit is operated.

Locate the instructions that apply to the Model and hood option being installed. Check the parts against the list provided and follow the instructions to assemble and install the hood. If there is plastic film on any painted parts, remove it before installing. Installation on larger sizes requires at least two persons.

(Important NOTE: Attach the exhaust hood(s) before installing the outside air hood.)

WARNING:

Installation should be done by a qualified agency in accordance with these instructions. The qualified service agency installing this outside air hood is responsible for the installation.

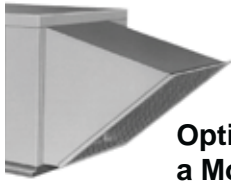
CAUTION: It is recommended that the inlet to the outside air hood NOT be facing into the prevailing wind.

CAUTION: Do not install an inlet air hood while the unit is operating.

2. Hood Description and Application

These outside air hood options apply to a variety of outdoor HVAC systems. All hoods are shipped separately for field assembly and installation. Follow the instructions that apply to the Model and hood option being installed.

2.1 Hood Option AS2



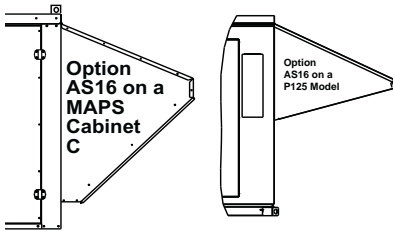
Option AS2 on a Model ADF

The outside air hood in Option AS2 includes a factory assembled louver assembly designed to help eliminate moisture from entering the unit. A screen is installed in front of the louvers.

Installation instructions vary by model.

- If installing a Model RDH, REH, RHH, or RXH, see Paragraph 3.1.
- If installing Option AS2 on Model (H)RPB; RPBL; RBL; or ADF/ADFH, see Paragraph 3.4.

2.2 Hood Option AS16

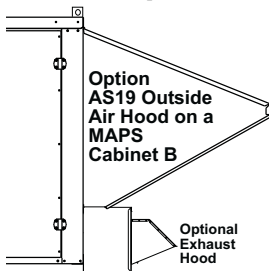


The outside air hood in Option AS16 includes permanent aluminum filters to reduce moisture in the air entering the unit. An additional screen is not required as the filters prevent birds or other objects from entering the hood.

Installation instructions vary by model.

- If installing Option AS16 on MAPS® III or IV Cabinet Sizes A, B, and C Models RCB/RDB/RDCB/RDDB/RECB/REDB, RCC/RDC/RDCC/RDDC/RECC/REDC see Paragraph 3.2.
- If installing Option AS16 on MAPS®III Cabinet D Size Models RCB/RDB/RDCB/RDDB/RECB/REDB, see Paragraph 3.3.
- If installing Option AS16 on Models JDHA, JDMA, YDHA, YDMA or YDSA, see Paragraph 3.5.

2.3 Hood Option AS19



The outside air hood in Option AS19 also has permanent aluminum filters in the hood entrance and is designed to allow for the addition of an optional exhaust hood or energy recovery module (either Exhaust Option PE3 or AR2G and Energy Recovery Module Option ER1).

- If installing Option AS19 on a Model MAPS® Cabinet Sizes A, B, or C Model RCB/RDB/RDCB/RDDB/RECB/REDB, RCC/RDC/RDCC/RDDC/RECC/REDC, see Paragraph 3.2.

3. Components, Dimensions, and Installation Instructions by Models

3.1 Option AS2, Outside Air Hood, for RDH, REH, RHH, RXH 3.1.1 Application and Components by Preeva® Model and Size

RDH Size	75/100	125/150	175/200/225	250/300	350/400
REH Size	10A/20A/ 30A	15B/30B/ 60B	N/A	30D/60D/ 90D/120D	40E/80E/ 120E
RHH Size	N/A	N/A	130/180	260	350
RXH Size	000A	000B	000C	000D	000E
Hood Pkg P/N	215223	215224	215225	215226	215227
<i>Components:</i>					
Top	(1) 215260	(1) 215261	(1) 215262	(1) 215263	(1) 215264
Left Side	(1) 215256			(1) 215257	
Right Side	(1) 215258			(1) 215259	
Louver Rack	(1) 215614	(1) 215615	(1) 215614	(1) 215616	(1) 215617
Screen Retainer			(2) 214851		
Screen Clamp			(2) 214852		
Screen	(1) 215610	(1) 215611	(1) 215610	(1) 215612	(1) 215613
Sheetmetal Screws			(45) 11813		
Self-drilling Screws			(20) 37661		
Silicone, 3 oz tube			(1) 53335		

Follow the illustrated instructions in **FIGURE 1A**. All screw ends should be inside the hood.

Hood dimensions are in **FIGURE 1B**.

3.1.2 Installation Instructions and Dimensions

FIGURE 1A - Assembly STEPS

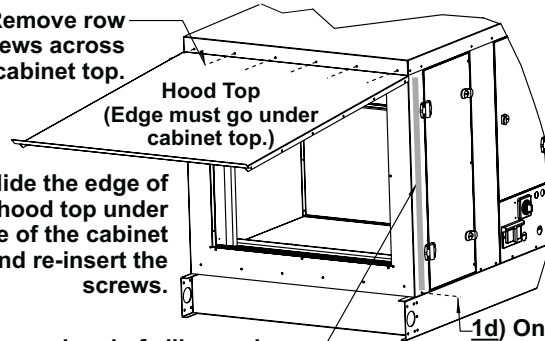
STEP 1 - Attach top of outside air hood.
Prepare to attach sides.

1a) Remove row of screws across cabinet top.

1b) Slide the edge of the hood top under the edge of the cabinet top and re-insert the screws.

1c) On both sides of the unit, run a bead of silicone down the cabinet post behind the rear of the hinges.

1d) On both sides, remove this screw. (Save the screws.)



STEP 2 - Attach sides of outside air hood.

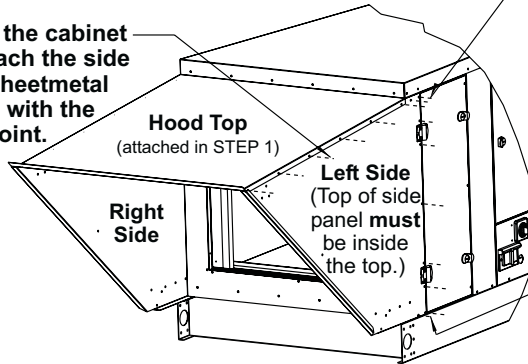
NOTE: Select screws carefully.

2b) Position side panel over the cabinet and inside the hood top. Attach the side of the hood to the top with sheetmetal screws. Use the 1/2" screws with the slotted head and standard point.

2c) Attach the side of the hood to the cabinet with self-tapping screws. Use the 1/2" hex head/no slot screws with the drill point. Use all the holes (each side requires eight screws).

2d) Repeat the procedure to install the other side.

2a) Position the side, and reinsert the screw removed in STEP 1d). Continuing to support the side panel, go to STEP 2b).



INSTALLATION NOTE: If the installation

includes damper control Option GE21 or GE22 that requires field installation of a sensor in the outside air inlet, attach the sensor and connect the wires before STEP 3. Follow the instructions in the system installation manual.

STEP 3 - Install the louver rack.

Screen Retainer (part of assembled louver rack)

3a) Position the louver rack in the hood opening.

3b) Attach the louver rack as shown with sheetmetal screws. Repeat on the other side.

STEP 4 - Install the screen.

4a) Position the screen and the screen clamp.

4b) Attach screen clamp with three sheetmetal screws. Repeat procedure on the other side to install second screen clamp. Outside air hood installation is complete.

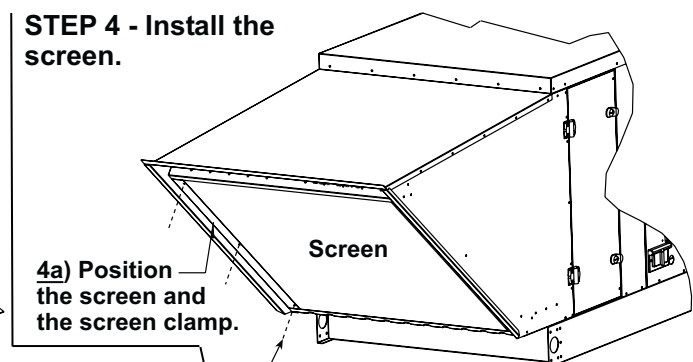
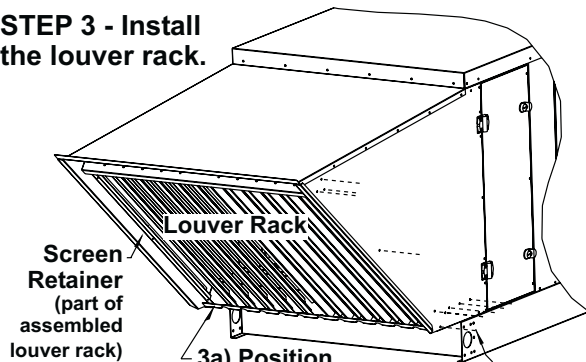
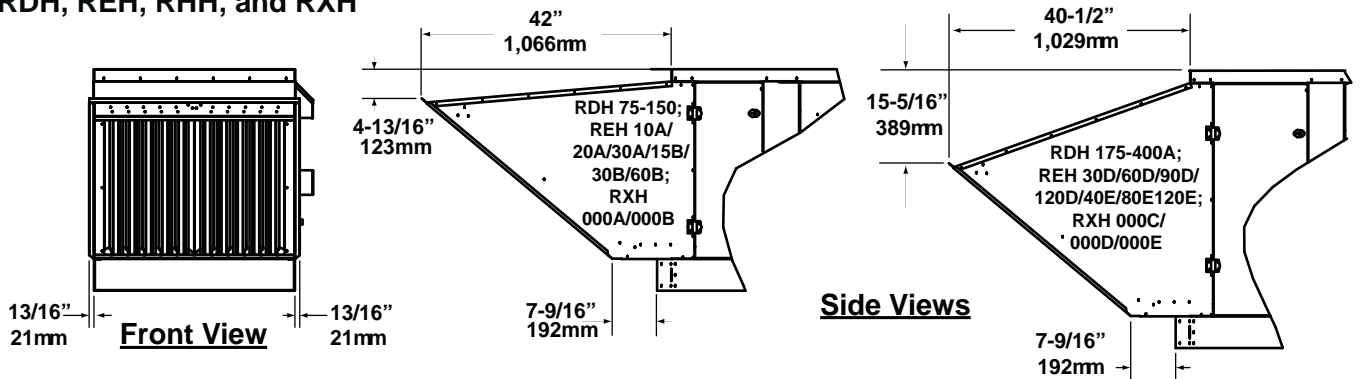


FIGURE 1B - Side Dimensions of Installed Option AS2, Outside Air Hood on PreeVA® Models RDH, REH, RHH, and RXH



3. Components, Dimensions, and Installation Instructions (cont'd)

3.2 Option AS16 and Option AS19 on MAPS® III&IV Cabinet Sizes A, B, and C, Models RCB/RDB/RDCB/RDDDB/RECB/REDB/RCC/RDC/RDCC/RDDC/RECC/REDC

3.2.1 Application and Components

Because of the numerous models and sizes, Option AS16 and AS19 hood components for MAPS® systems are identified by Cabinet Size A, B, or C. Use the cross-reference charts to determine the cabinet size of your system.

Cross-Reference of MAPS® Cabinet A, B, and C by Model/Size

DX Cooling Models RCB and RCC and DX with Reheat Models RDB and RDC

Model RCB	Model RCC	Cabinet Size
060		A
078		
090		
118	120	
136		
160		B
186		
200		C
190		
216		
298		
410		C
084		
102		
114		
142	144	
162		
184		
210		
222		
224		
236		
248		
262		
272		
288		
354		
370		
468		
482		

Model RDCB, RDDB, RDCC, and RDDC by Cabinet Size and Gas Heat Section Size

Model RDCB	Model RDDC	Gas Heat Section Size										
		-100	-150	-200	-250	-300	-400	-500	-600	-700	-800	-1000
060		A	A	A	--	--	--	--	--	--	--	--
078		A	A	A	B	B	--	B*	--	--	--	--
090		A	A	A	B	B	--	B*	--	--	--	--
118	120	A	A	A	B	B	--	B*	--	--	--	--
136		A	A	A	B	B	--	B*	--	--	--	--
160		--	--	--	B	B	--	B*	--	--	--	--
186		--	--	--	B	B	--	B*	--	--	--	--
200		--	--	--	B	B	--	B*	--	--	--	--
190		--	--	--	--	--	C	C	C	C	--	C**
216		--	--	--	--	--	C	C	C	C	--	C**
298		--	--	--	--	--	C	C	C	C	--	C**
410		--	--	--	--	--	C	C	C	C	--	C**
084		A	A	A	--	--	--	--	--	--	--	--
102		A	A	A	B	B	--	--	--	--	--	--
114		A	A	A	B	B	--	--	--	--	--	--
142	144	A	A	A	B	B	--	--	--	--	--	--
162		--	--	--	A	B	B	--	--	--	--	--
184		--	--	--	B	B	--	--	--	--	--	--
196		--	--	--	B	B	--	--	--	--	--	--
210		--	--	--	B	B	--	--	--	--	--	--
222		--	--	--	B	B	--	--	--	--	--	--
224		--	--	--	B	B	--	--	--	--	--	--
236		--	--	--	B	B	--	--	--	--	--	--
257		--	--	--	B	B	--	--	--	--	--	--
248		--	--	--	--	--	C	C	C	C	--	C**
262		--	--	--	--	--	C	C	C	C	--	C**
272		--	--	--	--	--	C	C	C	C	--	C**
288		--	--	--	--	--	C	C	C	C	--	C**
354		--	--	--	--	--	C	C	C	C	--	C**
370		--	--	--	--	--	C	C	C	C	--	C**
468		--	--	--	--	--	C	C	C	C	--	C**
482		--	--	--	--	--	C	C	C	C	--	C**

Model RECB, REDB, RECC, and REDC by Electric Heat Module and Cabinet Size

Model RECB	Model RECC	Electric Heat Section													
		-10S	-15S	-20S	-24S	-15	-20	-25	-30	-35	-39	-50	-60	-75	-88
060		A	A	A	A	A	A	A	A	A	A	--	--	--	--
078		--	--	A	A	A	A	B	A	A	B	A	B	B	B
090		--	--	A	A	A	A	B	A	A	B	A	B	B	B
118	120	--	--	A	A	A	A	B	A	A	B	A	B	B	B
136		--	--	A	A	A	A	B	A	A	B	A	B	B	B
160		--	--	--	--	--	--	B	B	B	B	B	B	B	B
186		--	--	--	--	--	--	B	B	B	B	B	B	B	B
200		--	--	--	--	--	--	B	B	B	B	B	B	B	B
190		--	--	--	--	--	--	--	--	--	--	C	C	C	C
216		--	--	--	--	--	--	--	--	--	--	C	C	C	C
298		--	--	--	--	--	--	--	--	--	--	C	C	C	C
410		--	--	--	--	--	--	--	--	--	--	C	C	C	C
084		A	A	A	A	A	B	A	A	B	A	B	B	B	--
102		--	--	A	A	A	A	B	A	A	B	A	B	B	B
114		--	--	A	A	A	A	B	A	A	B	A	B	B	B
142	144	--	--	A	A	A	A	B	A	A	B	A	B	B	B
162		--	--	--	--	--	--	A	B	A	B	A	B	B	B
184		--	--	--	--	--	--	B	B	B	B	B	B	B	B
196		--	--	--	--	--	--	B	B	B	B	B	B	B	B
210		--	--	--	--	--	--	B	B	B	B	B	B	B	B
222		--	--	--	--	--	--	B	B	B	B	B	B	B	B
224		--	--	--	--	--	--	B	B	B	B	B	B	B	B
236		--	--	--	--	--	--	B	B	B	B	B	B	B	B
257		--	--	--	--	--	--	B	B	B	B	B	B	B	B
248		--	--	--	--	--	--	--	--	--	--	C	C	C	C
262		--	--	--	--	--	--	--	--	--	--	C	C	C	C
272		--	--	--	--	--	--	--	--	--	--	C	C	C	C
288		--	--	--	--	--	--	--	--	--	--	C	C	C	C
354		--	--	--	--	--	--	--	--	--	--	C	C	C	C
370		--	--	--	--	--	--	--	--	--	--	C	C	C	C
468		--	--	--	--	--	--	--	--	--	--	C	C	C	C
482		--	--	--	--	--	--	--	--	--	--	C	C	C	C

* A MAPS® B Cabinet with 500 mbh of gas heat is a Size 250 mbh heat section plus an Option JH25 curb with a 250 mbh duct furnace.

** A MAPS® C Cabinet with 1000 mbh of gas heat is a Size 700 mbh heat section plus an Option JH30 curb with a 300 mbh duct furnace.

Components of Option AS16

Outside Air Hood Option AS16 for Models listed above	Cabinet Size		
	A	B	C*
Hood Pkg P/N	205665	205666	208741
Components:			
Hood Top	(1) 204408	(1) 204409	(1) 255207
Hood Right Side	(1) 204410	(1) 204410	(1) 208629
Hood Left Side	(1) 204411	(1) 204411	(1) 208630
Hood Bottom	(1) 204412	(1) 204413	(1) 208631
Filter Angle	(2) 204414	(2) 204414	(2) 208635
Filter Spacer	(1) 204415	(1) 204416	(2) 208633
Filter Clamp	(1) 204417	(1) 204418	(2) 208634
Top Support	--	--	(1) 208636
Vertical Filter Support	--	--	(2) 208632
Top Filter Filler	--	--	(1) 210146
Hood Center Support	(1) 204419	(1) 204420	--
Wing Head Screw 12-12-103-11	(2) 205707	(2) 205707	(4) 205707
Clip-On Receptacle 12-11050-27	(2) 221262	(2) 221262	(4) 221262
Nylon Retainer, 12-11064-42	(2) 205709	(2) 205709	(4) 205709
S/M Screw #10-16x1/2 Ab Stalgd	Required qty of P/N 11813		
Permanent Aluminum Filter 16x20x1	(4) 101607	--	(6) 101607
Permanent Aluminum Filter 16x25x1	--	(4) 101609	(3) 101609

* Option AS16 and AS19 for Cabinet C are the same.

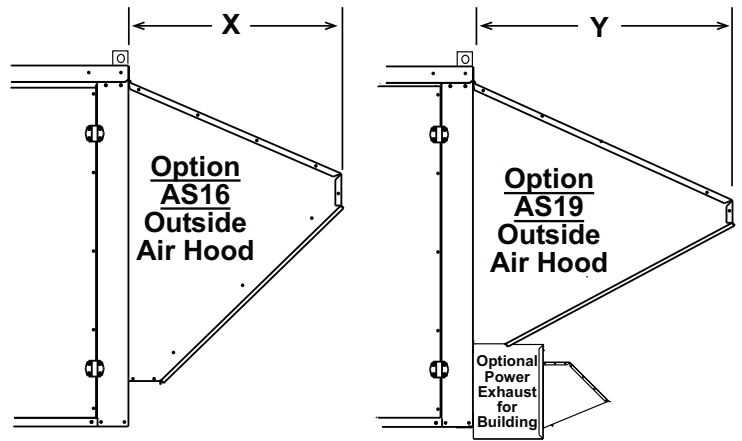
Components of Option AS19

Outside Air Hood Option AS19 for Models listed above	Cabinet Size		
	A	B	C*
Hood Pkg P/N	215624	215625	208741
Components:			
Hood Top	(1) 214417	(1) 214411	(1) 255207
Hood Top Slope Section	--	(1) 214412	--
Hood Right Side	(1) 194273	(1) 164273	(1) 208629
Hood Left Side	(1) 194272	(1) 164272	(1) 208630
Hood Bottom	(1) 214415	(1) 214416	(1) 208631
Filter Angle	--	--	(2) 208635
Filter Spacer	--	--	(2) 208633
Filter Clamp	--	--	(2) 208634
Top Support	--	--	(1) 208636
Vertical Filter Support	--	--	(2) 208632
Top Filter Filler	--	--	(1) 210146
Filter Frame Assembly	214413	214414	--
Wing Head Screw 12-12-103-11	--	--	(4) 205707
Clip-On Receptacle 12-11050-27	--	--	(4) 221262
Nylon Retainer, 12-11064-42	--	--	(4) 205709
S/M Screw #10-16x1/2 Ab Stalgd	Required qty of P/N 11813		
Permanent Aluminum Filter 16x20x1	--	--	(6) 101607
Permanent Aluminum Filter 16x25x1	--	--	(3) 101609
Permanent Aluminum Filter 18x20x1	(4) 194903	--	--
Permanent Aluminum Filter 20x25x1	--	(4) 101610	--

3.2.2 Dimensions

FIGURE 4 - Length of Outside Air Hoods for MAPS®III, Cabinets A, B, and C, with Option AS16 or Option AS19

Cabinet Size	X	Y
Dimensions - Inches		
A	26-3/4	44
B	26-3/4	44
C	38	38
Dimensions - mm		
A	679	679
B	679	679
C	965	965



3.2.3 Installation Instructions

NOTE: Select screws carefully. Use sheetmetal screws (slotted head with straight tip) when all holes are provided. Use self-drilling screws (head is not slotted with drill-type tip) when holes are not provided.

Select the appropriate illustration from the Table below. Refer to that illustration and follow the instructions below.

Cabinet	Hood Option	See FIGURE	Page	Exhaust or Energy Recovery Option
A, B	AS16	3A	6	No
A	AS19	3B/3D	7&8	Yes (if ordered)
B	AS19	3C/3D	8	Yes (if ordered)
C	AS16	3E	8	No
	AS19			Yes (if ordered)

Instructions (apply to all FIGURES except where noted):

- 1. Install Top Panel** - On the air inlet of the cabinet, remove and save the factory-installed screws attaching the system top. Slide the hood top panel underneath the edge of the cabinet top. **The edge of the hood top panel must be between the cabinet top and the end panel.** Reinsert all of the sheetmetal screws.
- 2. Install Left Side Panel (right when facing the unit)** - Locate the vertical row of cabinet screws to the right of the opening that attach the condenser section. Remove and save those screws. Position the hood left side panel under and to the **inside** of the hood top panel. Reinsert the screws to attach the side panel. Attach the hood side panel to the hood top with sheetmetal screws.
- 3. Install Right Side Panel (left when facing the unit)** - Position the hood right side panel under and to the inside of the hood top panel. Attach to the unit using the required number of **self-drilling screws**.
- 4. FIGURE 3C - Install Top Panel Slope Section** - Position the slope panel against the top panel and over the side panels. Attach to the top panel and both sides with sheetmetal screws.
- 5. Install Bottom Support** - Position the hood bottom support so that it is to the **inside** of the two side panels.
FIGURES 3A and 3D - Attach to the cabinet using the required number of **self-drilling screws**. Attach to both side panels with sheetmetal screws.
FIGURES 3B and 3C - Attach to both side panels with sheetmetal screws.
- 6. Install the Filter Assembly**
FIGURE 3A, Cabinet Sizes A and B without a power exhaust option - Attach the center support and the two side filter angles. Attach the filter spacer with wing screw receptacle. Position four filters in the opening. Secure filters with the filter clamp and the wing screws.

3.0 Components, Dimensions, and Installation Instructions (cont'd)

3.2 Option AS16 and Option AS19 on MAPS®III&IV Cabinet Size A, B, and C (cont'd)

3.2.3 Installation Instructions (cont'd)

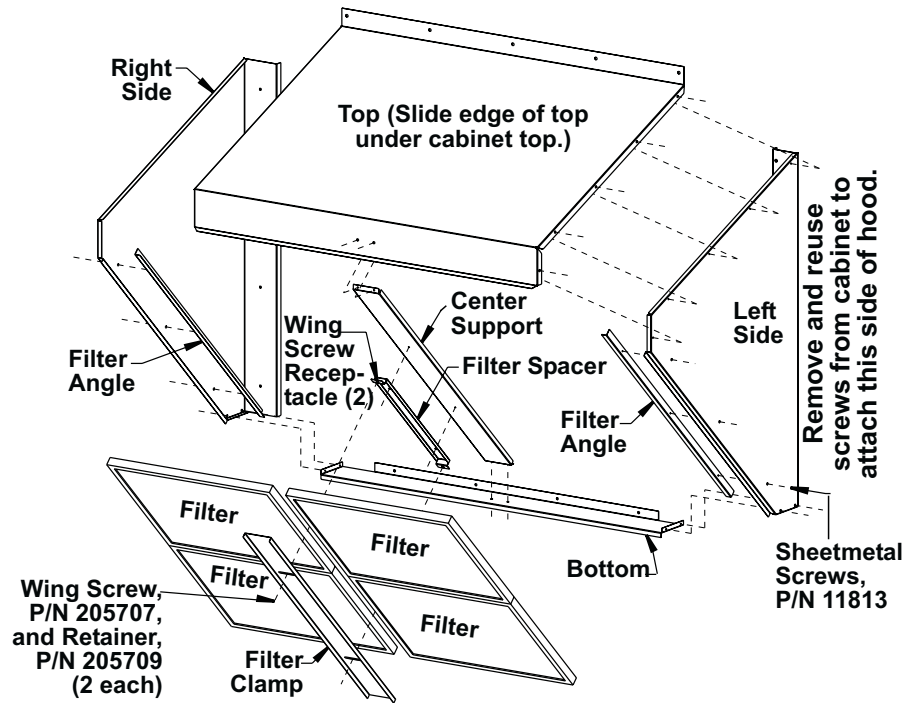
FIGURE 3A - Installation of Outside Air Hood, Option AS16, on Cabinet Sizes A and B

(See cross-reference of MAPS®III&IV cabinet sizes A and B and model sizes on page 4.)

Filter Sizes

Cabinet A - (4) 1x16x20

Cabinet B - (4) 1x16x25



FIGURES 3B and 3C, Cabinet Size A or B with a power exhaust option -

Install the filter frame with filters in place. Position the filter frame assembly in the inlet opening of the hood. Attach at the front and back holes with 1/2" sheetmetal screws. Insert a 3/4" sheetmetal screw at each of the center holes (one on each side).

FIGURE 3B - Installation of Outside Air Hood, Option AS19, on Cabinet Size A (can be used with optional exhaust hood, Option PE3 or AR2G, and energy recovery module, Option ER1A.)

(See cross-reference of MAPS®III&IV cabinet sizes and model sizes on page 4.)

Filter Sizes: (4) 1x18x20

See Filter Removal Instructions in FIGURE 3D.

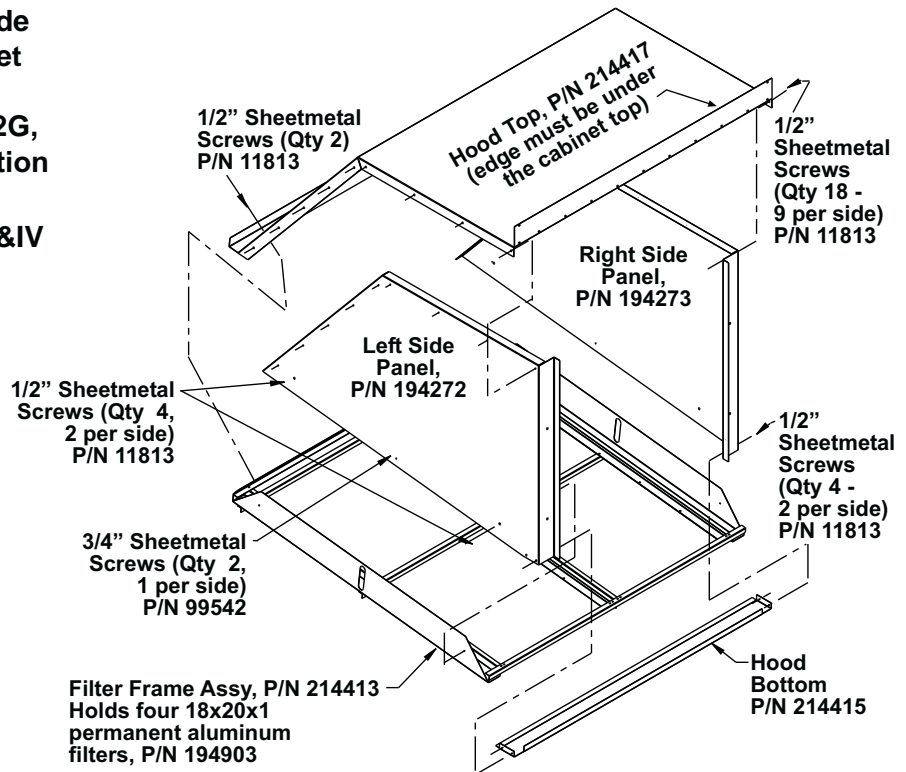
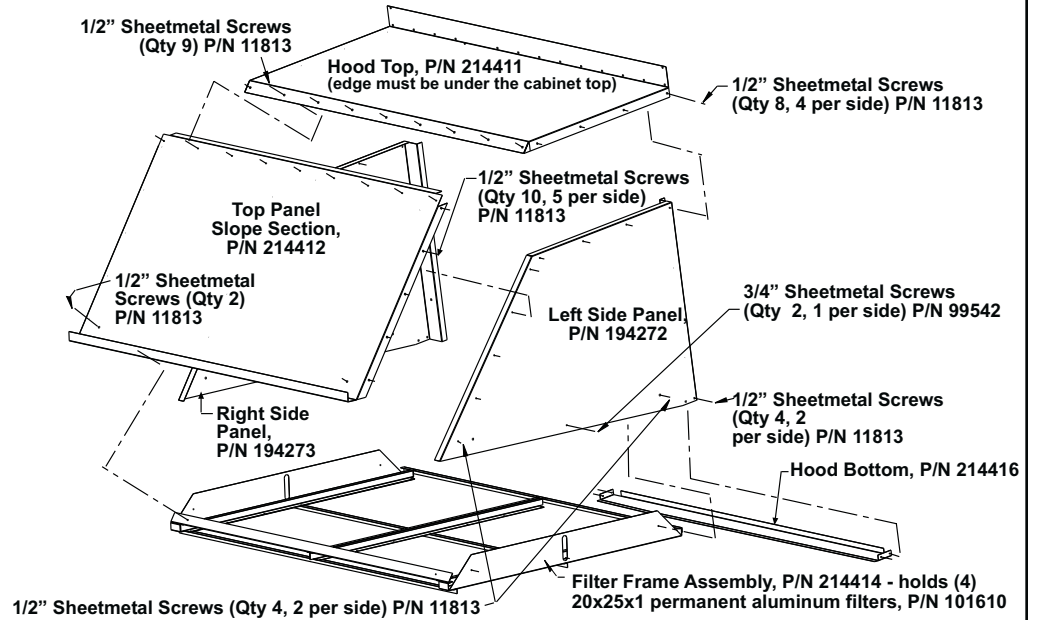


FIGURE 3C - Installation of Outside Air Hood, Option AS19, on Cabinet Size B (can be used with optional exhaust hood, Option PE3 or AR2G, and energy recovery module, Option ER1B.) (See cross-reference of MAPS®III&IV cabinet sizes A and B and model sizes on page 4.)



Filter Sizes: (4) 1x25x20

FIGURE 3D - Cabinet Size A & B, Option AS19 Hood Filter Removal Instructions Applies to hoods in both FIGURE 3B and 3C.

- 1) Remove the four screws indicated.
- 2) Lower the tray.
- 3) Pull out filters.
- 4) Reverse to install filters.

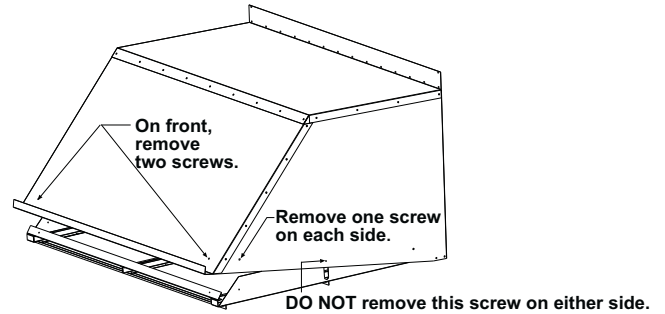
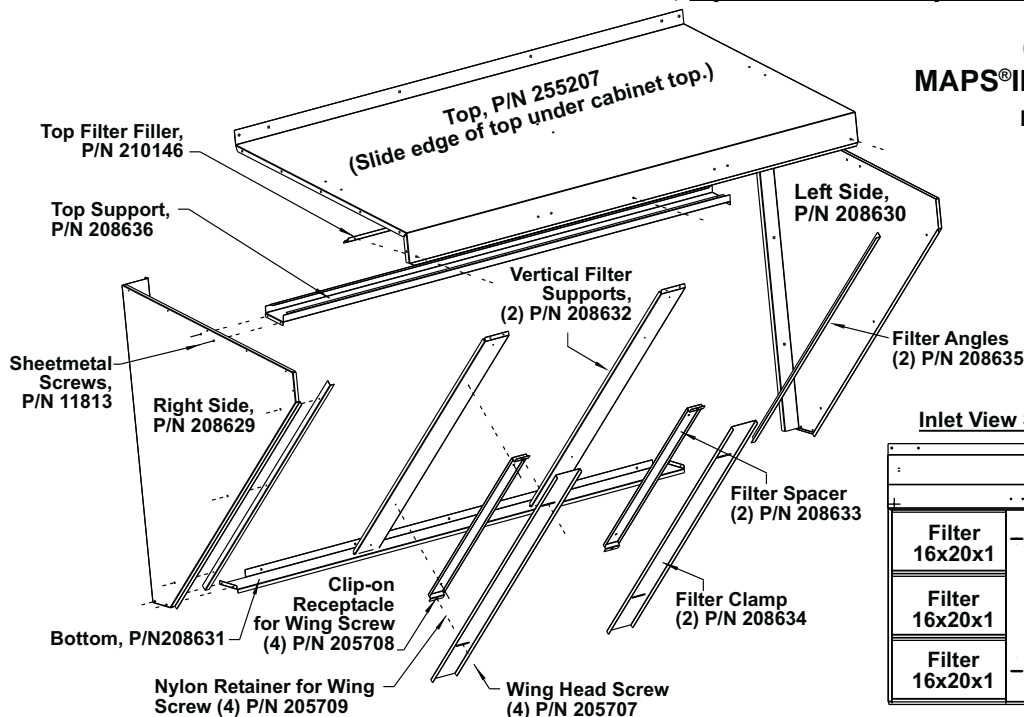


FIGURE 3E - Cabinet Size C with or without a power exhaust option - Attach the top filter filler, the two vertical filter supports and the two side filter angles. Attach the two inner filter spacers with wing screw receptacles. Position the nine filters in the opening as shown. Secure the filters with the filter clamps and the wing screws.

FIGURE 3E - Installation of Outside Air Hood, Option AS16 or Option AS19, on Cabinet Size C

(See cross-reference of MAPS®III&IV cabinet size C and model sizes on page 4.)



Inlet View Showing Filter Arrangement

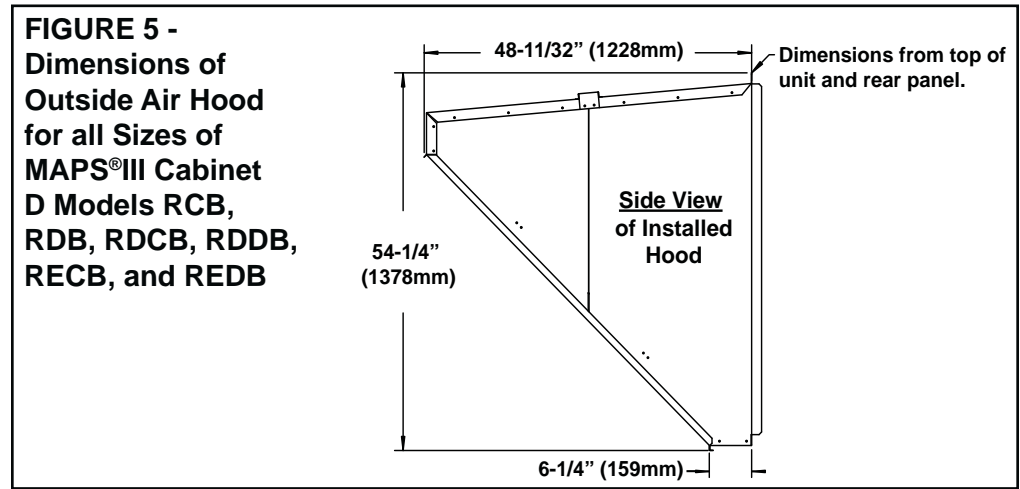
Filter 16x20x1	Filter 16x25x1	Filter 16x20x1
Filter 16x20x1	Filter 16x25x1	Filter 16x20x1
Filter 16x20x1	Filter 16x25x1	Filter 16x20x1

3. Components, Dimensions, and Installation Instructions (cont'd)

3.3 OPTION AS16 for MAPS®III Cabinet D Models RCB/ RDB/RDCB/ Rddb/RECB/ REDB

3.3.1 Dimensions

The Option AS16 shown fits all sizes of MAPS®III Cabinet D Models RCB/RDB/RDCB/Rddb/RECB/REDB.



3.3.2 Components, Option AS16 for all MAPS®III Cabinet D Sizes

Applies to MAPS®III: Models RCB, RDCB, and RECB Sizes 360, 480, 600, and 720; and Models RDB, Rddb, REDB Sizes 418, 444, 484, 538, 564, 602, 658, 684, 722, 804, and 842

Option AS16 Hood Pkg P/N 222657			
Components by STEP (FIGURES 6A - 6D)			
Used in	Qty	Description	P/N
STEP 1a, FIGURE 6A	1	Top (Section 1)	222689
	6	Sheetmetal Screws	11813
STEP 1b, FIGURE 6A	1	Left Side (Section 1)	222697
	1	Right Side (Section 1)	222694
	12	Self-Drilling Screws	37661
STEP 1c, FIGURE 6A	1	Bottom	222692
	8	Self-Drilling Screws	37661
	4	Sheetmetal Screws	18113
STEP 2a, FIGURE 6B	1	Left Side (Section 2)	222696
	1	Right Side (Section 2)	222693
	10	Sheetmetal Screws	11813
		Silicone	53335
STEP 2b, FIGURE 6B	1	Top (Section 2)	222690
	10	Sheetmetal Screws	11813
STEP 2c, FIGURE 6B	1	Top Seal	222691
	20	Sheetmetal Screws	11813
		Silicone	53335

STEP 3a, FIGURE 6C	1	Top Filter Support	222701
	1	Top Filter Clip	222702
	16	Sheetmetal Screws	11813
STEP 3b, FIGURE 6C	1	Bottom Filter Support	222703
	1	Bottom Filter Clip	222704
	16	Sheetmetal Screws	11813
STEP 3c, FIGURE 6C	1	Left Side Gutter	222698
	1	Right Side Gutter	222695
	18	Sheetmetal Screws	11813
STEP 3d, FIGURE 6C	2	Vertical Supports	222700
	8	Sheetmetal Screws	11813
STEP 3e, FIGURE 6C	2	Horizontal Supports	222699
	24	Sheetmetal Screws	11813
	12	Clip-on Receptacles	221262
STEP 4a, FIGURE 6D	12	Filter Stops	222705
	24	Sheetmetal Screws	11813
STEP 4b, FIGURE 6D	12	Filters, 16x16x1	104102
	6	Filters, 16x25x1	101609
	6	Filter Retainers	222706
	12	Wing Head Screws	205707
	12	Nylon Retainers	205709

3.3.3 Installation Instructions

Installation NOTES:

- Select screws carefully. Use sheetmetal screws (slotted head with straight tip) when holes in the cabinet are provided. Use self-drilling screws (head is not slotted with drill-type tip) when matching holes are not provided.
- Follow STEPS in order.

All screw ends (except some across the bottom) should be inside the air hood. The top and sides are in two sections; starting at the inlet air opening, follow the illustrated instructions. Due to the size, assembly and installation requires two persons.

1. Install First Section (FIGURE 6A)

- Top Panel** - Above the air inlet opening, remove and save the factory-installed screws attaching the system top. Slide the edge of the hood top panel underneath the edge of the cabinet top. **The edge of the hood top panel must be between the cabinet top and the end panel.** Reinsert all of the sheetmetal screws.
- Install First Section Side Panels** - Position the hood side panel under and to the **inside** of the hood top panel. Attach the side panel to the system cabinet and to the hood top. Use the type of screws shown. Screw ends should be inside the hood.

Repeat to install the other side of the hood.

- Install Hood Bottom (FIGURE 6A)** - Position and attach the bottom as illustrated. Use the type of screws shown.

2. Install the Second Section (FIGURE 6B)

- Install Side Panels** - Position one of the small side panels against the already installed side panel as illustrated. Remove the small panel and apply a bead of

silicone **along the mating surface of the already installed** panel. Attach the second panel piece with sheetmetal screws.

Repeat to attach the other small side panel piece.

- b) Install Top Panel** - Position the hood top piece over the newly installed side panels. Attach to the side panels with sheetmetal screws.

FIGURE 6A - STEP 1, Install First Section

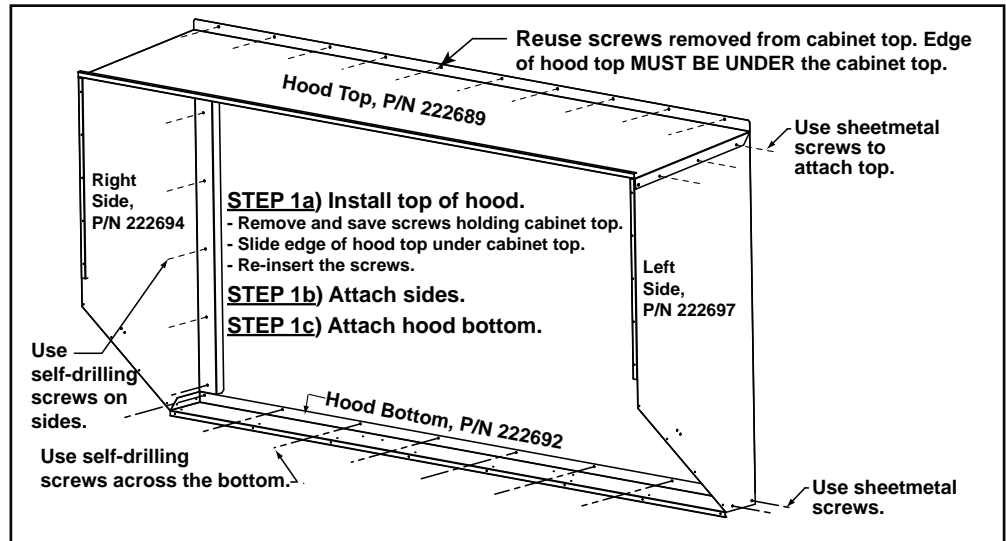
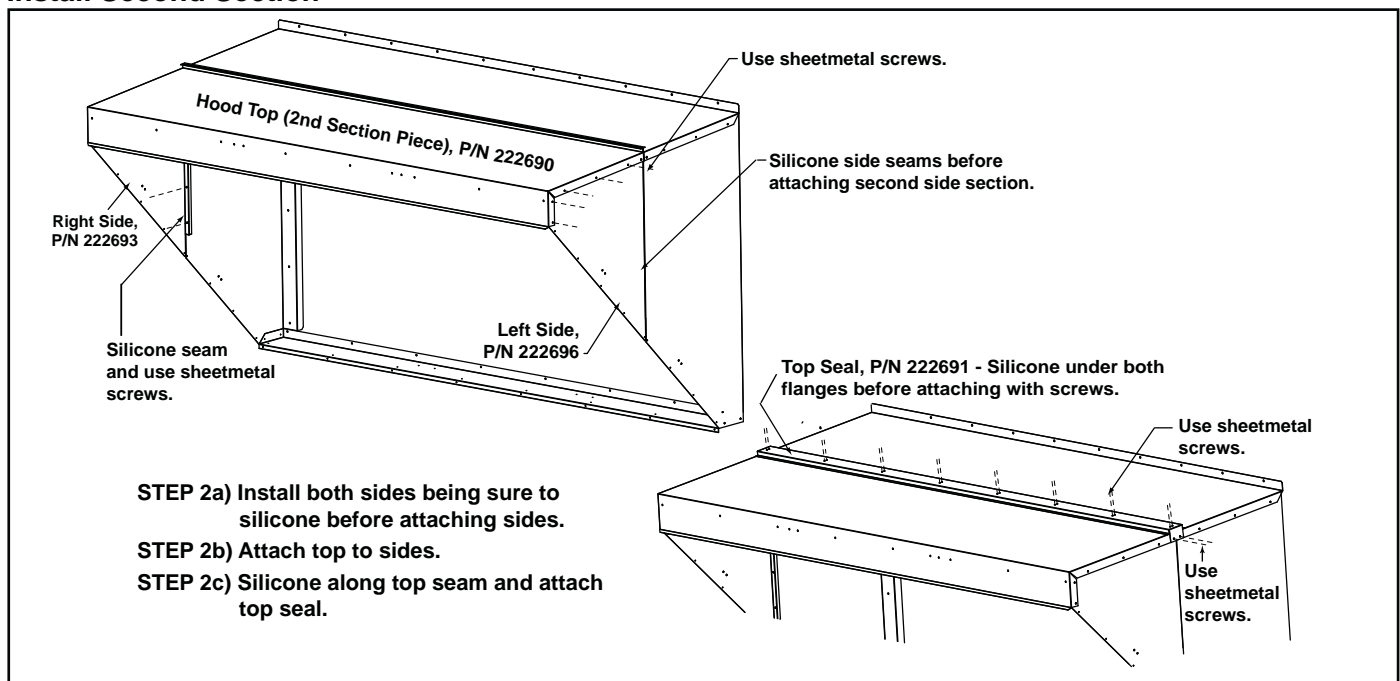


FIGURE 6B - STEP 2, Install Second Section



- c) Install Top Seal** - Position the top seal over the seam in the top of the hood. Lift the seal and silicone along both sides of the seam so that the flanges of the top seal will be on the silicone. Attach the seal with sheetmetal screws.

3. Install the Filter Supports and Hood Gutters (FIGURE 6C)

- a) Install Top Horizontal Filter Support and Clip** - Position the top horizontal filter support inside the top edge of the hood. Line up the holes and attach with sheetmetal screws.

With the open side down, position the filter clip to the inside of the filter support. Line up the holes with the support and attach with sheetmetal screws.

- b) Install Bottom Horizontal Filter Support and Clip** - Position the bottom horizontal filter support on the bottom of the hood. Attach with sheetmetal screws. Position the filter clip on the filter support and attach with sheetmetal screws.

- c) Install Side Gutters** - Position the left side gutter on the left side of the cabinet. Line up the holes and attach with sheetmetal screws. Repeat with the right side gutter.

3. Components, Dimensions, and Installation Instructions (cont'd)

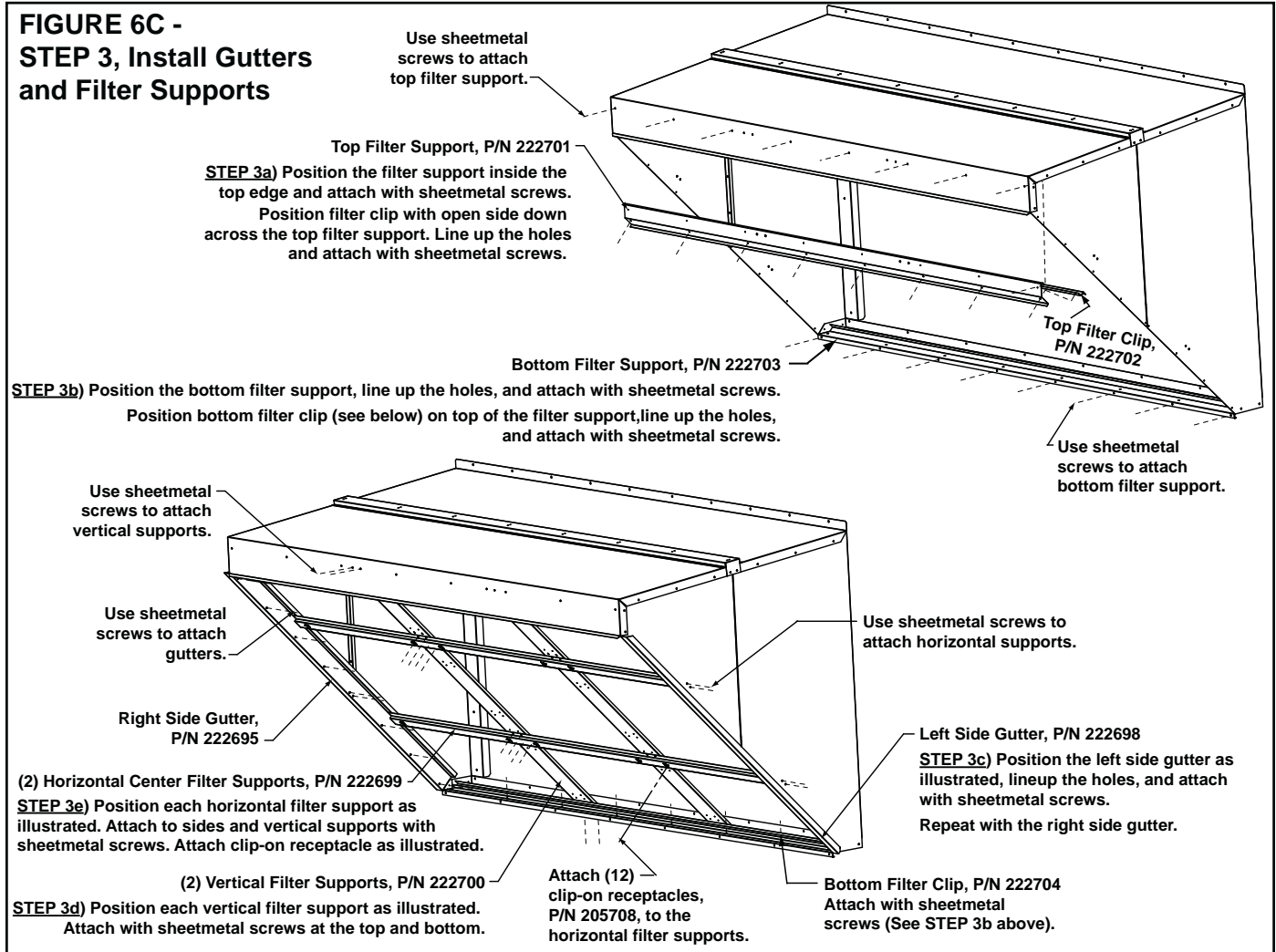
3.3 OPTION AS16 for MAPS®III Cabinet D (cont'd)

3.3.3 Installation Instructions (cont'd)

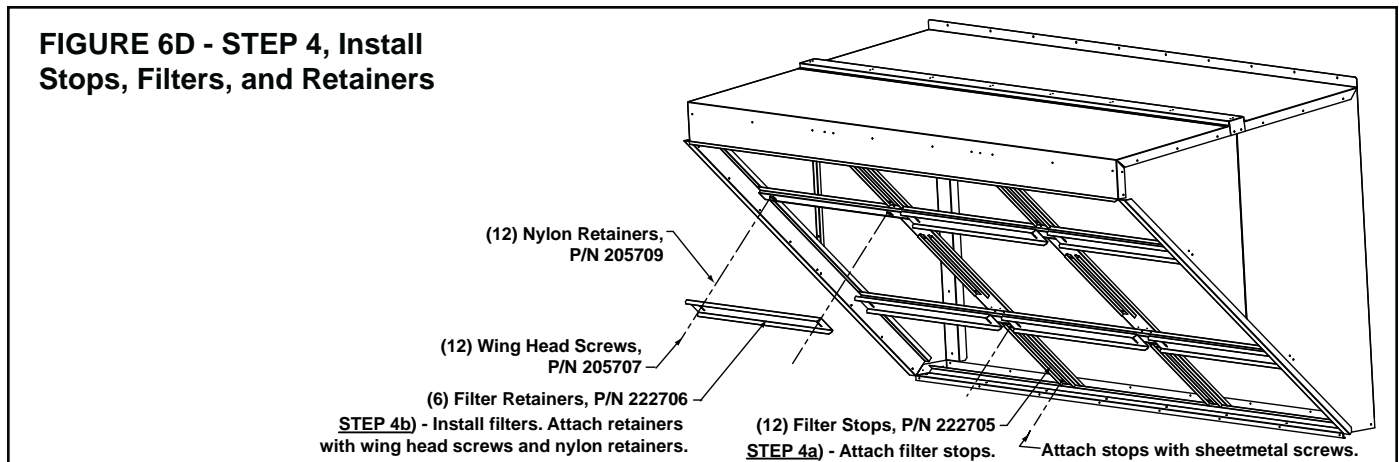
d) **Install Two Vertical Filter Supports** - Position a vertical support as illustrated so that it is lined up with two holes in the top edge and two in the bottom. Attach with sheetmetal screws. Repeat with the second support.

e) **Install Two Horizontal Filter Supports** - Position a horizontal support as illustrated so that it is lined up with two holes on each side. Attach to the sides and the gutters with sheetmetal screws. Where the horizontal support crosses the vertical supports, attach with sheetmetal screws. Repeat with the second horizontal filter support.

**FIGURE 6C -
STEP 3, Install Gutters
and Filter Supports**

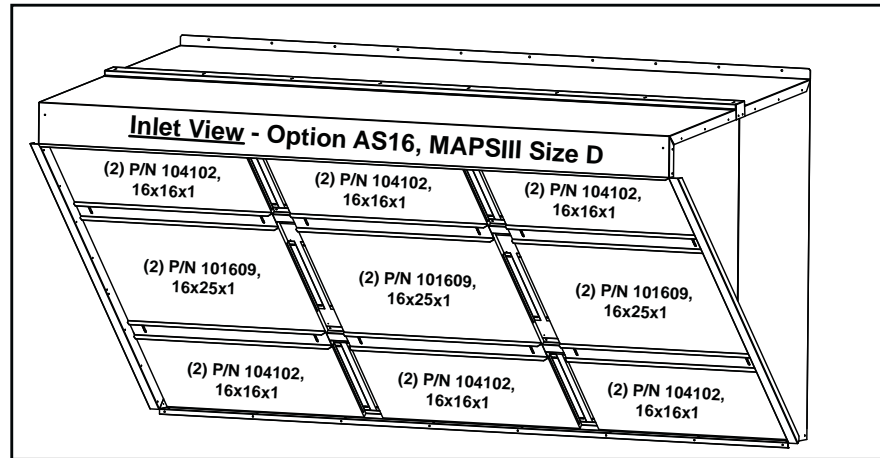


**FIGURE 6D - STEP 4, Install
Stops, Filters, and Retainers**



4. **Install Filter Stops, Filters (not illustrated here; see FIGURE 7), and Filter Retainers (FIGURE 6D)**
 - a) **Install 12 Filter Stops** - Position the filter stops on the vertical supports. Attach filter stops with sheetmetal screws but do not tighten.
 - b) **Install the 18 Filters and six Filter Retainers** - Starting with either the bottom or the top row, position two filters in an opening, adjust stop, remove filters, tighten stop, and return filters to position. Holding filters in place, use nylon retainers, wing head screws, and the clip-on retainers installed in **STEP 3E** to secure the filter retainer. Install the other filters in that row. Install the other two rows of filters and their retainers.

FIGURE 7 - Assembled Inlet Air Hood, Option AS16 on a MAPS®III D Cabinet



3.4 Option AS2, Outside Air Hood, for Models ADF/ADFH; (H)RPB; RPBL; RBA/RBL

3.4.1 Application and Components

APPLICATION by Model and Size						
Option AS2 Pkg P/N	106201	106202	106203	106204	106205	106206
Models ADF/ADFH		300		500		700/1200
Models (H)RPB	125	150/175	200/225	250/300	350	400
Models RPBL				500/600	700/1050	400/800/1200
Blower Cabinet Model		RBA				RBL
Components:						
Right Side Panel	(1) 100217					
Left Side Panel	(1) 100216					
Top Panel	(1) 100227	(1) 100228	(1) 100229	(1) 100230	(1) 100231	(1) 100232
Bottom Panel	(1) 100234	(1) 100235	(1) 100236	(1) 100237	(1) 100238	(1) 100239
Screened Louver Assembly	(1) 103773	(1) 103774	(1) 103775	(1) 103776	(1) 103777	(1) 103778
Sheetmetal Screws #10x1/2" lg	(29) 11813					
*Support Angle (factory-installed)	105010	105011	105012	105013	105014	105015
*The support angle is not included in the option package. When a unit is ordered with an Option AS2 outside air hood, the support angle is attached to the cabinet at the factory. The slotted holes will allow for any adjustment required when Option AS2 outside air hood is installed.						

3.4.2 Installation Instructions, Option AS2 (Refer to FIGURES 8A, 8B, and 8C.)

1. **Install Top Panel** - On the air inlet end of the cabinet, remove the row of factory-installed screws attaching the cabinet top. Slide the hood top panel under the edge of the cabinet top. The edge of the hood top panel **must** be between the cabinet top and end panel. Reinsert all of the sheetmetal screws.
2. **Install Side Panels** - Slide the hood right side panel into the slot between the cabinet end panel and corner leg (See **FIGURE 8A**). Be sure that the side panel is under and to the inside of the hood top panel. Attach to the cabinet and the hood top using the required number of sheetmetal screws. Repeat with the left side panel.
3. **Install Bottom Panel** - Position the hood bottom panel so that it is to the inside of the two side panels and above the factory-installed support angle. Attach to both side panels.

3. Components, Dimensions, and Installation Instructions (cont'd)

3.4 Option AS2, Outside Air Hood (cont'd)

3.4.2 Installation Instructions (cont'd)

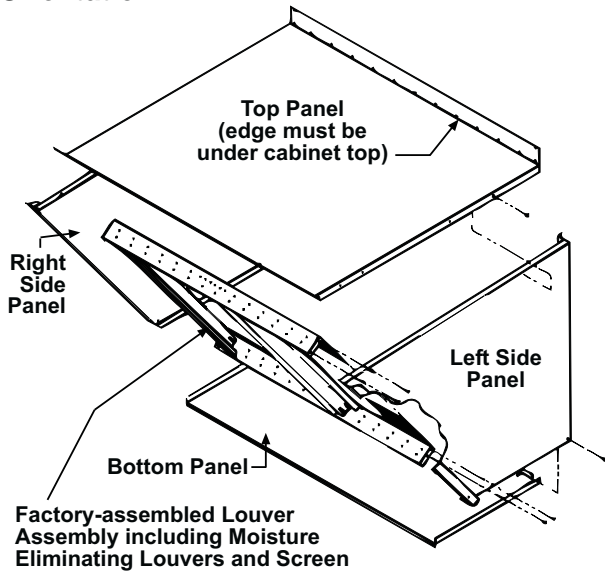
If the bottom panel does not rest tightly against the support angle, follow these instructions to adjust the position of the support angle:

- a) Slightly loosen (**do not remove**) the support angle screws.
- b) Slide the support angle up (holes are slotted) so that it is against the bottom panel.
- c) Tighten the screws.

Attach the support angle to the hood bottom panel. The bottom panel of the hood and the support angle should be tight together; do not draw with the screws.

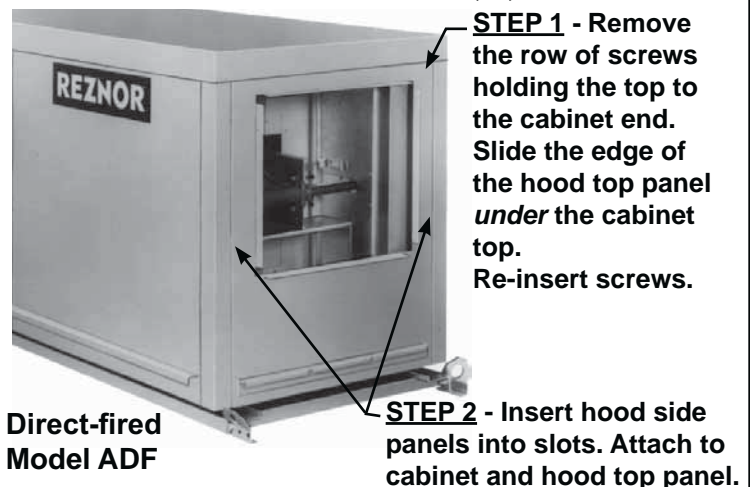
- 4. **Install the Louver Assembly** - With the intake screen toward the inside of the hood, position the vertical louver assembly in the inlet opening of the hood. Using the remaining sheetmetal screws, attach the louver assembly to the hood side panels at the holes provided.

FIGURE 8A - Parts Identity and Assembly Orientation



All screw ends except those across the bottom should be inside the hood.

FIGURE 8B - Inlet Air End of the Cabinet Illustrating Locations of Installation STEPS 1, 2, and 3

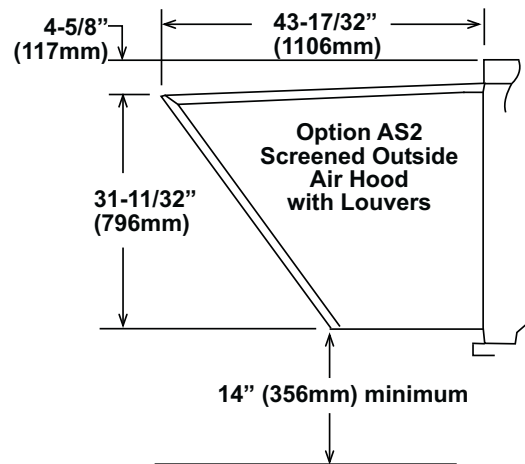


- STEP 3** - If the bottom panel of the hood does not rest tightly against the support angle, adjust the position of the support angle:
- a) Slightly loosen (**do not remove**) the support angle screws.
 - b) Slide the support angle up so that it is **against** the bottom panel. **Do not draw** together with the screws.
 - c) Tighten screws.

FIGURE 8C - Dimensions (inches and mm) of Installed Outside Air Hood, Option AS2, on Models Listed

(H)RPB	RPBL	Blower Cabinet	ADF, ADFH	*Width of AS2 Outside Air Hood	
125				28-5/8"	727mm
150, 175		Model RBA	300	34-1/8"	867mm
200, 225				39-5/8"	1006mm
250, 300	500, 600		500	47-7/8"	1216mm
350	700, 1050			53-3/8"	1356mm
400	400, 800, 1200	Model RBL	700,1200	58-7/8"	1495mm

*The width of the outside air hood is the same as the width of the cabinet.



3.5 OPTION AS16, Outside Air Hood, for JDHA, JDMA, YDHA, YDMA, YDSA

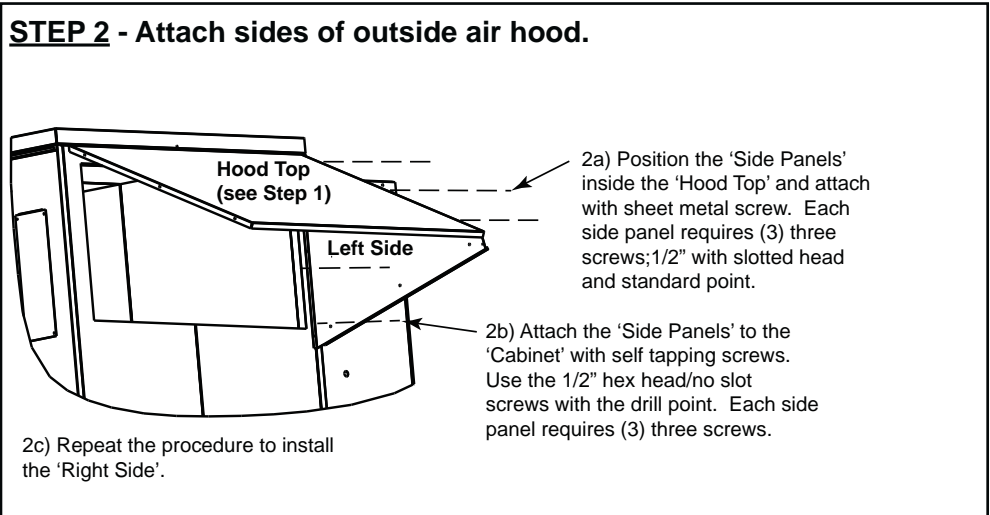
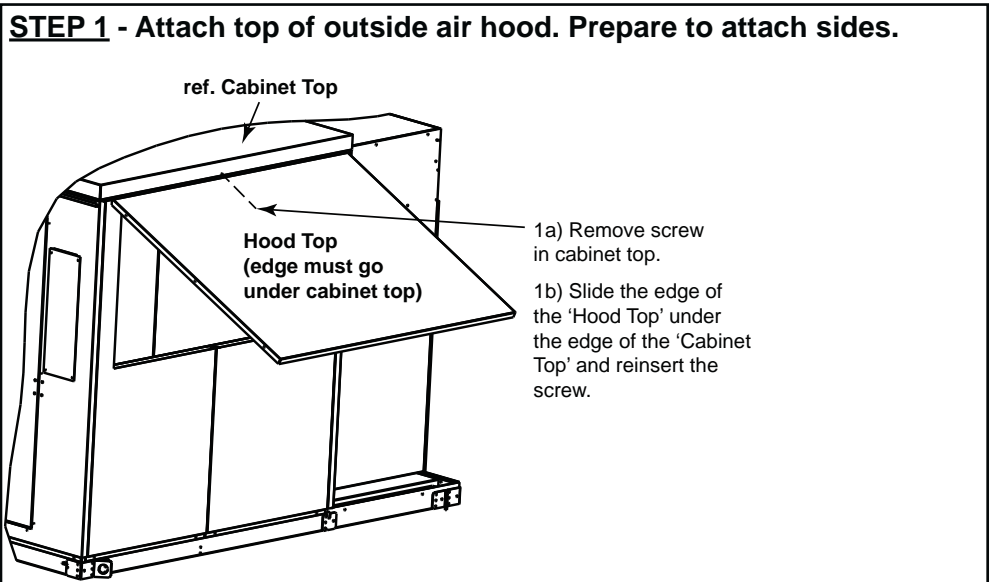
3.5.1 Application and Components by Model and Size

MODEL	CABINET SIZE		
	1	2	3
JDHA, JDMA, YDHA YDMA	060, 090, 120, 150	180, 210, 240	300, 360
YDSA	N/A	120, 150	180, 210
Pkg P/N	273283	273373	284598
Air Hood Components:			
Top	272476	271116	284449
Right Side	272477	271117	284450
Left Side	272478	271118	284451
Front Cover	272479	271119	284454
Filter Support	272480	271120	284452
Filter Top Support	272481 (2)	271121 (2)	---
Filter Slide	---	---	284453 (4)
Filter (Qty)	101607 (4)	101610 (4)	101609 (8)

3.5.2 Installation Instructions and Dimensions

Follow the instructions in **FIGURE 9A** shown below and on page 14.
Hood length dimensions are listed in **FIGURE 9B** shown on page 14.

FIGURE 9A - Assembly Steps



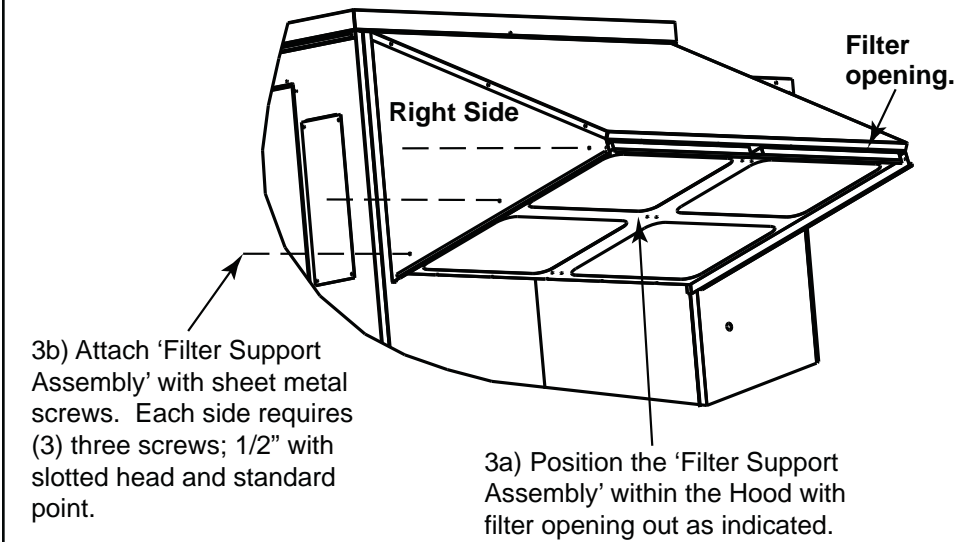
3. Components, Dimensions, and Installation Instructions (cont'd)

3.5 Option AS16, Outside Air Hood, for JDHA, JDMA, YDHA, YDMA, YDSA (cont'd)

3.5.2 Installation Instructions and Dimensions (cont'd)

FIGURE 9A - Assembly Steps (cont'd)

STEP 3 - Attach filter support.



STEP 4 - Install filters and attach the front cover.

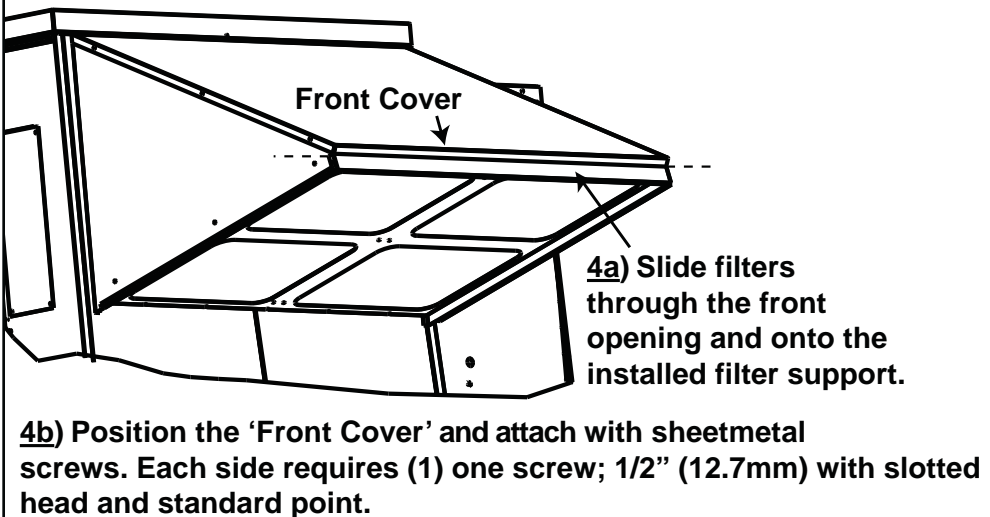
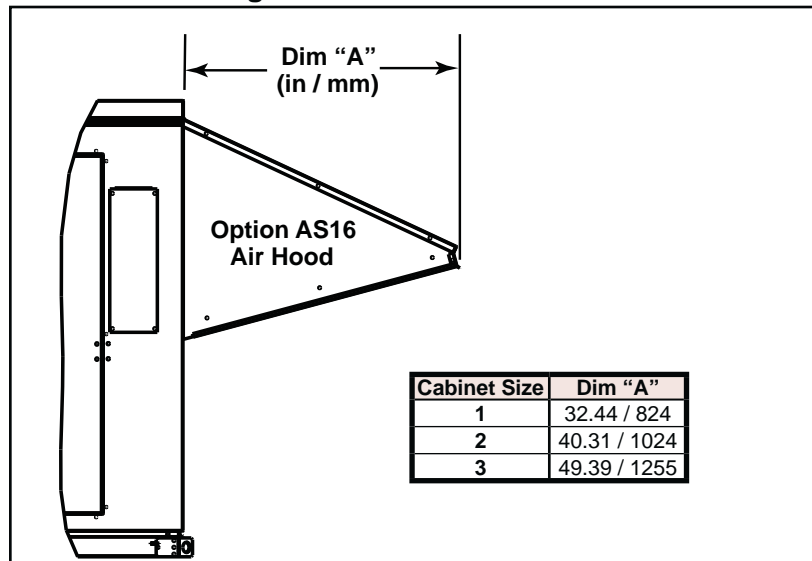


FIGURE 9B - Length Dimensions of Installed Hood



Specifications and illustrations subject to change without notice and without incurring obligations.
© Nortek Global HVAC, LLC 2015. All rights reserved.
Printed in the U.S.A. (06-15)
All trade marks are the property of their respective organizations.