

## Option Installation

**Applies to: Options CF and CG, Stepdown Transformers for Unit Heater Models F & FE 25-400 and Models B & BE 25-100 with Standard Direct Drive Motor**

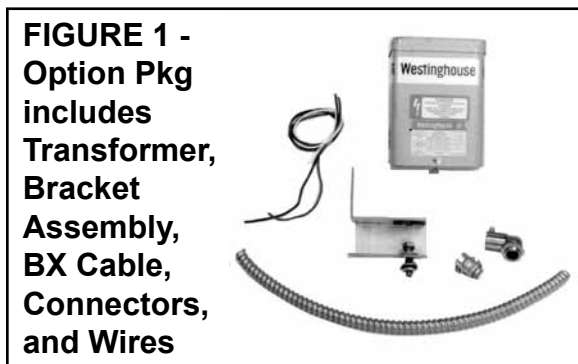
### Description

The stepdown transformer option, which “steps down” the supply power from either 208, 230, or 460 volts to 115 volts, includes the transformer and the necessary parts to mount and wire the transformer. Since the mounting bracket becomes a part of the heater suspension, **read these instructions carefully before installation.**

Each option package includes a transformer and the parts listed below. The transformer is shipped in its original carton. Mounting and wiring components are shipped in a separate carton.

**WARNING: Improper installation, adjustment, alteration, service, or maintenance can cause property damage, injury or death. Read the installation, operation, and maintenance instructions thoroughly before installing or servicing this equipment.**

### Application and Components



Option	Voltage	Applies to	P/N by Size	25	50	75	100
CF1	208/115	Model B Gravity Vent	<b>Option Pkg</b>	<b>261244</b>	<b>261246</b>		
			w/Transformer	260928, .50 KVA	223462, 1.0 KVA		
CF2	230/115		<b>Option Pkg</b>	<b>102267</b>	<b>102269</b>		
			w/Transformer	11100, .50 KVA	16065, 1.0 KVA		
CF4	460/115	<b>Option Pkg</b>	<b>102267</b>	<b>102269</b>			
		w/Transformer	11100, .50 KVA	16065, 1.0 KVA			
CG1	208/115	Model B w/CA1* Power Vent & Model BE	<b>Option Pkg</b>	<b>261244</b>	<b>261246</b>		
			w/Transformer	260928, .50 KVA	223462, 1.0 KVA		
CG2	230/115		<b>Option Pkg</b>	<b>102267</b>	<b>102269</b>		
			w/Transformer	11100, .50 KVA	16065, 1.0 KVA		
CG4	460/115	<b>Option Pkg</b>	<b>102267</b>	<b>102269</b>			
		w/Transformer	11100, .50 KVA	16065, 1.0 KVA			

\*Option CA1 is a 115 volt power venter.

Option	Voltage	Applies to	P/N by Size	25	50	75	100	125	165	200	250	300	400
CF1	208/115	Model F Gravity Vent	<b>Option Pkg</b>	<b>261243</b>	<b>261244</b>	<b>261244</b>	<b>261246</b>						
			w/Transformer	260927, .25 KVA	260928, .50 KVA	260928, .50 KVA	223462, 1.0 KVA						
CF2	230/115		<b>Option Pkg</b>	<b>102266</b>	<b>102267</b>	<b>102267</b>	<b>102269</b>						
			w/Transformer	11279, .25 KVA	11100, .50 KVA	11100, .50 KVA	16065, 1.0 KVA						
CF4	460/115	<b>Option Pkg</b>	<b>102266</b>	<b>102267</b>	<b>102267</b>	<b>102269</b>							
		w/Transformer	11279, .25 KVA	11100, .500 KVA	11100, .500 KVA	16065, 1.0 KVA							
CG1	208/115	Model F with CA1* Power Vent & Model FE	<b>Option Pkg</b>	<b>261243</b>	<b>261244</b>	<b>261245</b>	<b>261244</b>	<b>261245</b>	<b>261246</b>				
			w/Transformer	260927, .25 KVA	260928, .50 KVA	260929, .75 KVA	260928, .50 KVA	260929, .75 KVA	223462, 1.0 KVA				
CG2	230/115		<b>Option Pkg</b>	<b>102266</b>	<b>102267</b>	<b>102268</b>	<b>102267</b>	<b>102268</b>	<b>102269</b>				
			w/Transformer	11279, .25 KVA	11100, .50 KVA	11217, .75 KVA	11100, .50 KVA	11217, .75 KVA	16065, 1.0 KVA				
CG4	460/115	<b>Option Pkg</b>	<b>102266</b>	<b>102267</b>	<b>102268</b>	<b>102267</b>	<b>102268</b>	<b>102269</b>					
		w/Transformer	11279, .25 KVA	11100, .50 KVA	11217, .75 KVA	11100, .50 KVA	11217, .75 KVA	16065, 1.0 KVA					

Components Common to All Option Packages Listed in Tables Above	Qty	P/N	Description	Qty	P/N	Description
	1	102261	Bracket Assembly	1	1417	90° Connector
	1	113275	1/2" Ig Sheetmetal Screw	2	16358	Anti-Short Bushings
	1	16247	5/16 x 3/4" Ig Hex Head Cap Screw	1	5566	Black Wire, 14 ga x 30" long, 105°C
	1	1333	5/16 Lockwasher	1	32525	White Wire, 14 ga x 30" long, 105°C
	2	1087	Flat Washers	1	102264	Green Wire, 14 ga x 30" long, 105°C
	1	2039	BX Cable 3/8 x 18" long	10	16354	Twist-on Wire Connectors
1	16202	Straight Connector				

# Installation Instructions

Installation should be done by a qualified agency in accordance with the instructions on this sheet and in compliance with all codes and requirements of authorities having jurisdiction.

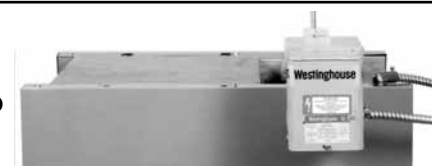
## 1. Determine Correct Position for the Transformer Bracket

The bracket is always attached to the heater at a hanger bracket on the same side of the heater as the field supply wiring connection. Depending on the type of heater, there are three possible positions for installing the bracket. Read the following and determine the correct location for your particular installation.

**FIGURE 2 - Transformer Location on a Heater with 2-Pt Suspension**



**FIGURE 3 - Transformer Location on a Heater with 4-Pt Suspension (no optional blower cabinet)**



**FIGURE 4 - Transformer Location on a Heater with 4-Pt Suspension (with optional blower cabinet)**



- Model F and FE with Two-Point Suspension -  
- Select center suspension point (Remove and discard the side panel screw that is located next to this hanger bracket). (See **FIGURE 2**.)
- Model F and FE with Four Point Suspension and Model B and BE without an Optional Blower/Filter Cabinet -- Select suspension point closest to the field supply wiring connection. (See **FIGURE 3**.)
- Model B and BE with Optional Blower /Filter Cabinet -- Select suspension point closest to the front of the heater. (See **FIGURE 4**.)

## 2. Install Transformer Bracket

The bracket is designed to become a part of the suspension of the heater and has a threaded rod hanger hole identical to the one on the heater. The length of heater suspension required at this point will be shortened by two inches.

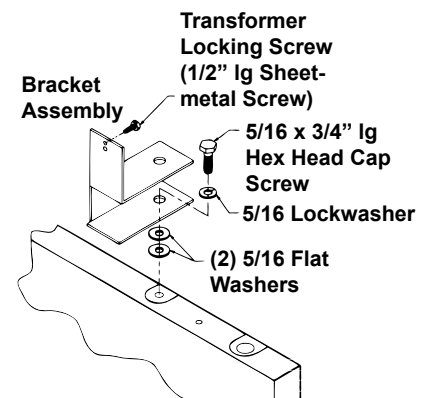
Follow the instructions in **FIGURE 5**.

**FIGURE 5 - Install Transformer Bracket**

### Instructions:

- 1) Place the two flat washers over the hanger bracket hole.
- 2) Place the transformer bracket and lockwasher in the positions shown.
- 3) Attach these parts to the heater with the 5/16 x 3/4" long hex head screw.

**IMPORTANT: The bracket for the stepdown transformer MUST be installed prior to suspending the heater. DO NOT fasten the transformer to the bracket before the heater is suspended. When suspending the heater, remember that due to the transformer bracket, suspension is 2" closer at that point.**



## 3. Install and Wire the Stepdown Transformer (Be certain power is OFF.)

- 1) Feed the wires through the conduit and place an anti-short bushing on each end of the conduit.
- 2) Attach the straight connector to the knockout hole in the side of the transformer.
- 3) Feed the wires into the connector and attach it to the conduit.
- 4) Hang the transformer on the bracket that was attached to the heater before suspension. Insert the locking screw as shown in **FIGURE 5**.
- 5) Following the diagram and connection information on the transformer, make the wiring connections. Since the transformer has dual primary and secondary voltages, extra care should be taken in making these connections.
- 6) Attach the 90° connector to the threaded hole on the heater for the supply wiring connection. Feed the wires through the connector and attach the connector to the conduit. Form a loop in the conduit between the transformer and the heater to take up any excess length. (Conduit provided is the same length for all suspension point locations.) See **FIGURE 2, 3, or 4**.
- 7) Remove the wire access panel and make the wiring connections according to the diagram on the heater. Replace the panel.

## 4. Turn on the electric power and the gas and light the heater following the instructions on the lighting instruction plate.

**www.RezorHVAC.com; (800) 695-1901**

© 2015 Reznor LLC, All rights reserved.

\*Trademark Notes: Reznor® is registered in at least the United States.

All other trademarks are the property of their respective owners.

I-F&B-X (02-15)

**REZNOR®**

Form I-F&B-X, PN 102265R5, Page 2