

Option CD1 - Vertical Louvers
Applies: Models F, FE, B & BE

HAZARD INTENSITY LEVELS
 1. **DANGER:** Failure to comply will result in severe personal injury or death and/or property damage.
 2. **WARNING:** Failure to comply could result in severe personal injury or death and/or property damage.
 3. **CAUTION:** Failure to comply could result in minor personal injury or death and/or property damage.

The vertical louver option packages include:

Option CD1 Vertical Louvers	25-50		75		100		125		130		165		200		250-300		400	
	Qty	P/N	Qty	P/N	Qty	P/N	Qty	P/N	Qty	P/N	Qty	P/N	Qty	P/N	Qty	P/N	Qty	P/N
Option Package P/N		98500		98501		98502		136863		98503		98504		98505		98506		98507
Top & Bottom Members	2	97852	2	97853	2	97854	2	97856	2	97854	2	97856	2	97856	2	97857	2	97858
Vertical Louvers	4	95937	4	95937	4	95937	6	95937	4	95938	6	95938	6	95938	8	95938	10	95938
Screws	12	11813	12	11813	12	11813	16	11813	12	11813	16	11813	16	11813	20	11813	28	11813

IMPORTANT NOTE: On fan models (Models F & FE), **do not** install vertical louvers in combination with Option CD3, Downturn Nozzle with 50°-90° Variable Air Deflection Range (formerly identified as a 60° nozzle).

WARNING: Improper installation, adjustment, alteration, service or maintenance can cause property damage, injury or death. Read the installation, operation and maintenance instructions thoroughly before installing or servicing this equipment.

2. If the heater is installed, for your safety, turn off the gas and the electrical power before installing the assembled vertical louvers.
3. Prepare Heater Front Panels (Top & Bottom) - Holes required in the top and bottom front panels are punched at the factory. The holes in the bottom front panel have screws inserted. Remove the factory-installed screws from the bottom panel (save the screws to use in attaching the louver assembly).
4. Install the Louver Assembly - Using the sheetmetal screws, attach the top member of the vertical louver assembly to the top front panel of the heater and the bottom member of the vertical louver assembly to the bottom front panel.
5. Adjust the horizontal & vertical louvers to provide the desired air direction. See **CAUTION** below.
6. Turn on the electric and the gas. Relight by following the lightening instructions on the heater. Check for proper operation.

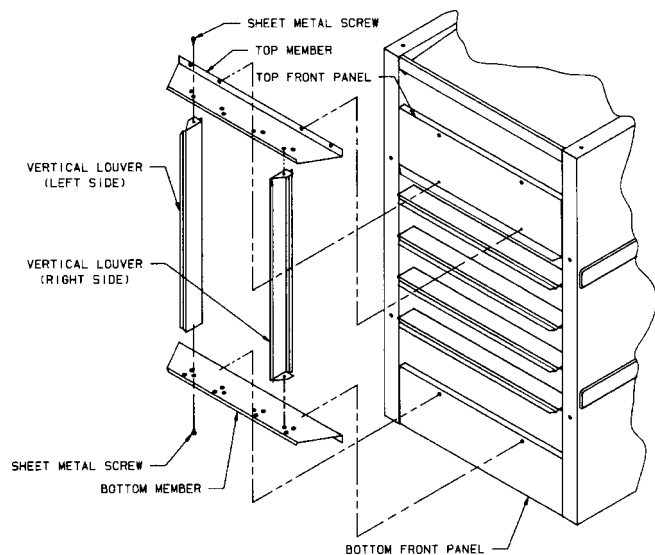
Installation Instructions

Installation should be done by a qualified agency in accordance with the instructions on this sheet and in compliance with all codes and requirements of authorities having jurisdiction.

Tools Required: 5/16" nut driver

1. **Assemble the louvers** - Assemble vertical louvers to the top and bottom members using the sheetmetal screws provided (See Figure 1 below).
 - a. Vertical louver edges should extend beyond the front outer end of the louver top and bottom members.
 - b. Stops are designed so that the right half of the louvers turn right and the left half of the louvers turn left.

Figure 1 - Installing Optional Vertical Louvers



CAUTION: To avoid getting burned, adjust louvers while the heater is not in operation. If louvers are adjusted while heater is in operation, wear protective gloves.

www.ReznorHVAC.com; (800) 695-1901

©2015 Reznor LLC. All rights reserved.

Trademark Note: Reznor® is registered in at least the United States.

Form I-F/B-VL (06-15) P/N 97925 Rev 3