

HAZARD INTENSITY LEVELS

1. **DANGER:** Failure to comply will result in severe personal injury or death and/or property damage.
2. **WARNING:** Failure to comply could result in severe personal injury or death and/or property damage.
3. **CAUTION:** Failure to comply could result in minor personal injury or death and/or property damage.

Form I-OPT-HK (3-16)

Obsoletes RZ/NA I-OPT-HK (Version A.2)

Optional Hanger Kits

Applies: Options CK3, CK7, CK8, CK9, CK10 CK19

Description/Application/Table of Contents

Description, parts listing and illustrated instructions are provided for each hanger kit. These kits are designed only for the models and applications described below. **See the referenced heater installation manual for clearances (top, sides, bottom, front and rear) suspension dimensions and weights. Suspension of the heater is the responsibility of the installer.**

Option Kit	Description	Use with Models	Application	Page	Reference Heater Installation Manual by Model
CK3	Swivel Connections for 1" Pipe for 4-pt Suspension	(H)EEDU Duct Furnaces	To adapt the duct furnace so that it may be suspended from threaded 1" stationary pipes	2	EEDU and HEEDU - Form I-EEDU
CK7	4-pt Suspension Conversion	F	To add two hanger brackets for changing from standard 2-pt suspension to 4-pt suspension	2-3	F - Form I-F/B
CK8	Swivel Connections for 2" Pipe for 2-pt Suspension	UDAP; UDAS; F	To adapt a unit with 2-pt suspension so that it may also be suspended from two threaded stationary pipes	3-4	UDAP & UDAS - Form I-UDA F - Form I-F/B
CK9	4-PT Suspension Conversion Plus Swivel Connections	F	To add two hanger brackets to change from standard 2-pt suspension to 4-pt suspension and adapt the unit so that it may be suspended from four threaded 1" stationary pipes.	4	F - Form I-F/B
CK10	Swivel Connections for 1" Pipe for 4-pt Suspension	LDAP Packaged Heaters; UDAP, UDAS, UDBP, UDBS, B, OH, OB, RA, RAD & F with optional 4-pt suspension	To adapt a unit with a 4-pt suspension so that it may be suspended from four threaded 1" stationary pipes	5-6	IDAP - Form I-DAP UDAP & UDAS - Form I-UDA UDAP & UDBS - Form I-UDB Band F - Form I-F/B OH & OB - Form I-OH/OB RA & RAD - Form I-RA/RAD 140/235 RA & RAD - Form I-RA/RAD 350/500
CK19	Alternate Suspension Points providing nearly equal loading at four points	B Unit Sizes 165 thru 400	Suitable for units equipped with isolation vibration suspension and/or seismic protection with longer than 10" rod hangers. Option CK9 changes the suspension points and suspension dimensions	7-8	B - Form I-F/B

Other Hanger Kits	<p>Ceiling Bracket for Unit Heaters - Option CK22 is available for small sizes of Models UDAP & UDAS. See Supplemental Installation Form I-UD-CS.</p> <p>Infrared Models - Options CK11 - CK18 are not included in this form. Options CK11 - CK18 are hanging chain and turnbuckle kits for tubular infrared heaters. For parts lists and instructions for hanger and turnbuckle kits, see Supplemental Installation Form I-VR-HK and/or I-VR/TRP/TR-TK. Hanging chain for infrared high intensity heaters is Option UE1 or UE2. See Heater Installation Manual, Form I-RIH.</p>
--------------------------	---

WARNING: The instructions in this sheet are written for adding new suspension points or preparing a heater for suspension prior to installation. If your heater is installed, for your safety, turn off the gas and electric before adding or changing suspension. Follow the instructions on the heater to restart. Check for proper operation.

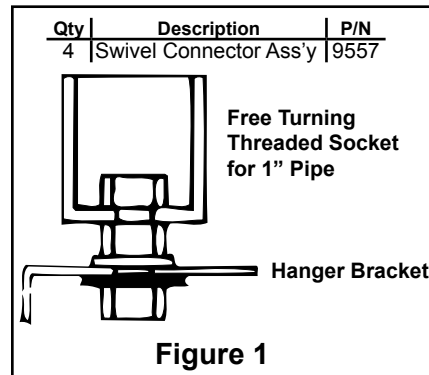
Option Kits and Instructions

Option CK3 Swivel Connectors for Model Series EEDU

CAUTION: Check to be sure that all swivels turn freely

This option is designed to add swivel connections to a Model (H)EEDU duct furnace to suspend a single furnace from four 1" threaded stationary pipes

Option CK3 (Package P/N 57959) includes:



Instructions:

1. Remove lockwasher and nut from swivel connector.
2. Put bolt down through the hole in the hanger bracket.
3. Attach securely with lockwasher and nut.
4. Repeat on all hanger brackets.

Option CK7 4-Point Suspension for Models F

(NOTE: Also applies to obsolete Model FE)

This option is designed to convert a Model F with standard 2-point suspension to a 4-point suspension.

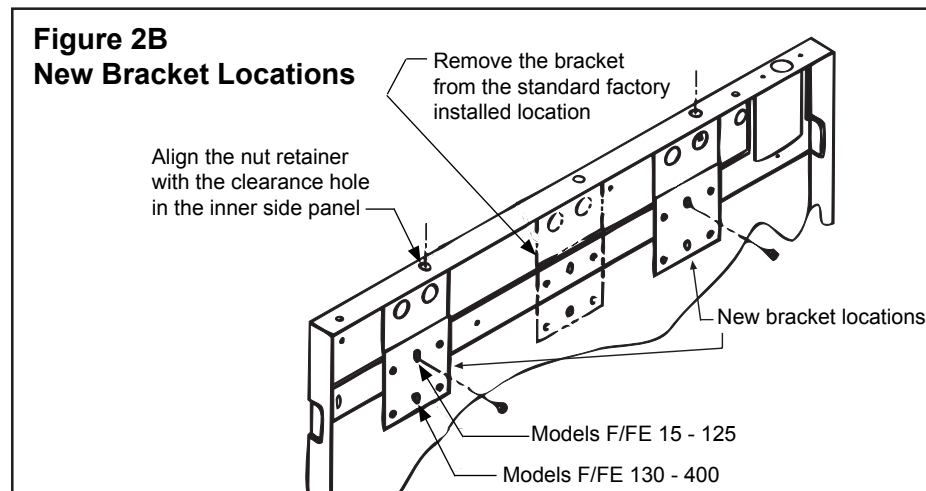
Option CK7 (Package P/N 98508) includes:



Installation Instructions for Option CK7:

Tools Required - 5/16 Nut Driver

1. Remove the heater from the carton.
Remove the wooden crate bottom from the bottom of the heater.
Remove one of the heater outer side panels.
2. Remove the Factory-Installed Hanger Bracket Assembly.
Remove the two screws that are holding the factory-installed hanger bracket assembly to the heater. Re-insert the two screws (without the hanger bracket) into the same holes in the heater inner side panel.
3. Determine the new locations for the two hanger bracket assemblies (one from the kit and the one removed in Step 2). See **Figure 2B**.



4. Install Hanger Bracket Assemblies - Remove the screw from the inner side panel at one of the new locations. Position one of the hanger bracket

assemblies so that the nut retainer is aligned with the clearance hole in the top of the side panel. Insert the screw removed from the side panel through the center slotted hole in the hanger bracket. Adjust the bracket so that it is tight against the top of the heater. Tighten screw securely.

Following the same procedure, attach the other hanger bracket assembly at the second location. Replace the outer side panel.

5. Remove the outer side panel from the opposite side and repeat Steps 2-4 on that side.
6. Installation of the 4-point suspension hanger kit is complete. Since the crate bottom has been removed, protect the bottom of the heater with plywood or other appropriate material. If the bottom is not supported, the bottom access panel could be damaged.
Follow the instructions in the heater installation manual to complete the installation of your heater.

Option CK8 2-Point Suspension with Swivel Connectors for Models UDAP, UDAS & F

(NOTE: Model F instructions also apply to obsolete Model FE)

CAUTION: Check to be sure that all swivels turn freely

This option is designed to adapt a Model F heater with standard 2-point suspension so that it can be suspended using two 1" threaded stationary pipes.

Option CK8 (Package P/N 98509) includes:

Qty	Description	P/N
2	Swivel Connector Ass'y	17627
2	3/8" Lockwasher	5197

Figure 3A
Hanger Kit
Option CK8



Installation Instructions for Option CK8:

Tools Required - 9/16 Open-End Wrench

Models UDAP and UDAS (**Figure 3B**)

1. Locate the threaded suspension holes in the top of the heater cabinet that are used for 2-point suspension (center holes).
2. Place a lockwasher over each hole.
3. Screw the swivel hanger connector assembly into the heater's cage nut retainer. (The lockwasher must be between the top panel and the swivel hanger connector assembly) Tighten firmly.

NOTE: If installing a Model UDAS, be certain that the unused suspension holes on the control side are plugged. Follow the heater installation instructions.

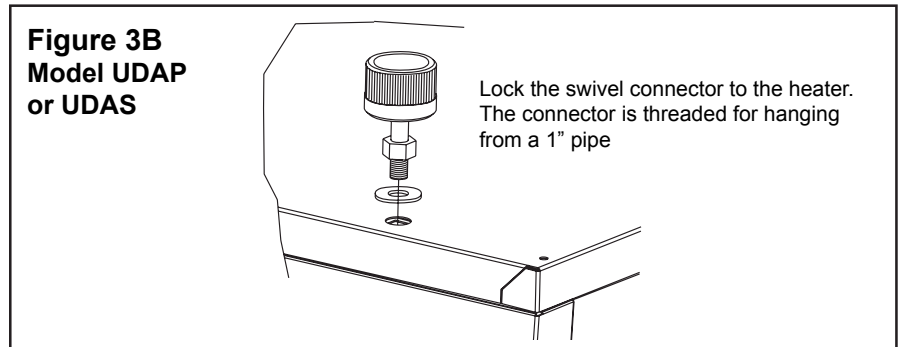
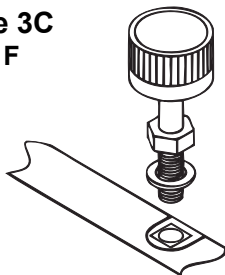


Figure 3B
Model UDAP
or UDAS

Model F (**Figures 3C & 3D**)

1. Locate the two hanger bracket holes in the top of the heater cabinet.
2. Place a lockwasher over the hole, being careful not to catch the cutout portion of the painted side panel. The outer panel must remain removable for future service. See **Figure 3C**.
3. Screw the swivel hanger connector assembly into the hanger bracket. (The lockwasher must be between the inner heater side panel and the swivel hanger connector assembly). Tighten firmly. See **Figure 3D**.

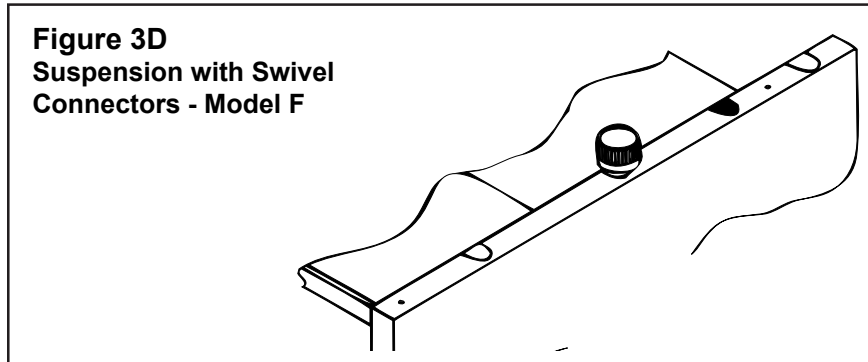
Figure 3C
Model F



DO NOT capture outer panel; it must be removable for future service.

Option Kits and Instructions (cont'd)

Option CK8 2-Point Suspension with Swivel Connectors for Models UDAP, UDAS & F (cont'd)



Models UDAP and UDAS and F

4. Repeat Steps 2 and 3 at the other suspension point.
5. Installation of the 2-point swivel connection kit is complete.
Follow the instructions in the heater installation manual to complete the installation of the heater.

Option CK9 4-Point Suspension with Swivel Connectors for Models F ONLY

(NOTE: Also applies to
obsolete Model FE)

**CAUTION: Check to
be sure that all swivels
turn freely**

This option is designed to convert a Model F with standard 2-point suspension to a 4-point suspension with swivel connectors.

Option CK9 (Package P/N 98510) includes:

Figure 4A
Swivel 4-pt
Hanger Kit,
Option CK9

Qty	Description	P/N
2	Hanger Bracket Ass'y	96386
4	Swivel Connector Ass'y	17627
4	3/8 Lockwasher	5197

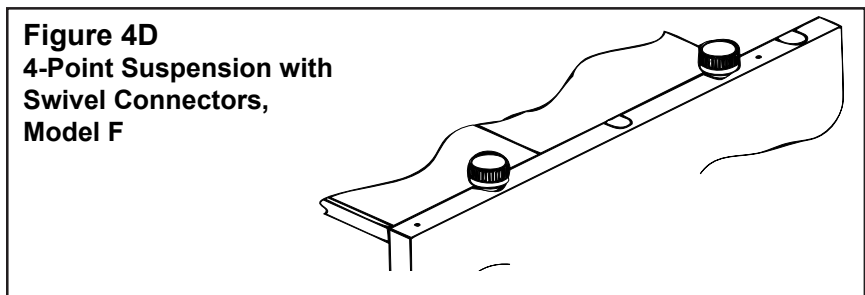
The image shows the components of the 4-point suspension kit: two hanger brackets, four swivel connector assemblies, and four 3/8 lockwashers.

Installation Instructions for Option CK9:

Tools Required - 9/16 Open-End Wrench & 5/16 Nut Driver

1. Convert to 4-point suspension - Refer to instructions for Option CK7 on pages 2-3. Follow Steps 1 through 5 to convert the heater to 4-point suspension.
2. Install Swivel Connectors - Refer to instructions for Option CK8 on page 3. Follow Model F Steps 1 through 3 to install the swivel connection. Attach a swivel at each suspension point. See **Figure 4B**.
3. Installation of the 4-point suspension kit with swivel connections is complete. Since the crate bottom has been removed, protect the bottom of the heater with plywood or other appropriate material. If the bottom is not supported, the bottom access panel could be damaged.

Follow the instructions in the heater installation manual to complete the installation of your heater.



**Option CK10
4-Point Suspension
with Swivel
Connectors for
Models LDAP,
UDAP, UDAS,
UDBP, UDBS, F, B,
OH, OB, RA, RAD -
See paragraph for
specific applications**


(NOTE: Model F kits also apply to obsolete Model FE. Model B kits also apply to obsolete Model BE)

CAUTION: Check to be sure that all swivels turn freely

This option is designed to add swivel connectors to a Model F unit heater that is already equipped with optional 4-point suspension or to a Model LDAP, UDAP, UDAS, UDBP, UDBS, B, OH, OB, RA or RAD heater that is standardly equipped with a 4-point suspension. The four swivel connections allow the heater to be suspended from four 1" threaded stationary pipes.

Option CK10 (Package P/N 98511) Swivels for 3/8" hanger rods/brackets includes:

Figure 5A
Swivel Hanger Kit,
for 3/8" Hanger
Brackets (P/N 98511)




Qty	Description	P/N
4	Swivel Connector Ass'y	17627
8	3/8 Lockwasher	5197
4	3/8 Hex Nut	1438

Applications: All sizes of Models UDAP/UDAS, all sizes of Models UDBP/UDBS, all sizes of Models F/B, all sizes of Models OH/OB manufactured prior to 10/94 and Models RA/RAD 110/140/235 manufactured prior to 10/94

Option CK10 (Package P/N 134477) Swivels for 1/2" hanger rods/brackets includes:

Figure 5B
Swivel Hanger Kit,
for 1/2" Hanger
Brackets (P/N 134477)




Qty	Description	P/N
4	Swivel Connector Ass'y	134476
4	1/2 Lockwasher	45549

Applications: All sizes of Models OH/OB/RA/RAD manufactured beginning 10/94 (NOTE: Models RA/RAD 350 manufactured prior to 10/94 have 7/16" hanger brackets. A swivel hanger kit is not available for RA/RAD 350 with 7/16" hanger brackets.)

Option CK10 (Package P/N 207938) Swivels for 1/2" hanger rods/brackets includes:

Figure 5C
Swivel Hanger Kit,
for 1/2" Hanger
Brackets (P/N 207938)



Qty	Description	P/N
4	Swivel Connector Ass'y	207939
4	1/2 Lockwasher	45549

Applications: All sizes of Model LDAP

Installation Instructions for Option CK10:

Select the instructions for the Model being installed

Models UDAS, UDAP, F & B - Follow the same instructions for Option CK8, pages 3-4. Repeat the process at all four hanger bracket locations. (NOTE: The four nuts and four of the washers in the kit will not be used). (UDAS NOTE: Be sure that any unused suspension holes on the control side are plugged - see heater installation instructions).

Option Kits and Instructions (cont'd)

Option CK10 4-Point Suspension with Swivel Connectors for Models LDAP, UDAP, UDAS, UDBP, UDBS, F, B, OH, OB, RA, RAD - (cont'd)

IMPORTANT: Be sure the threaded swivel connectors are locked to the hanger bars as illustrated

Models UDBP & UDBS - The suspension points on the hanger bar on the top of Model UDBP & UDBS heaters are not threaded. At each hole, place a lockwasher, insert the swivel through the lockwasher and the hanger bar. Fasten securely with a lockwasher and nut. See **Figure 5C**. Repeat the process at each suspension point.

Figure 5C - Installing Swivel Connections on Models UDBP & UDBS

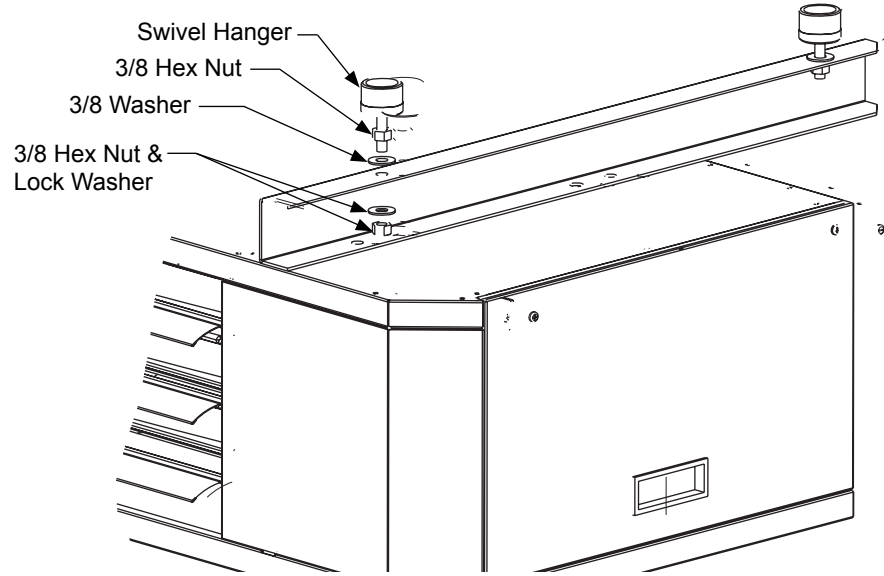
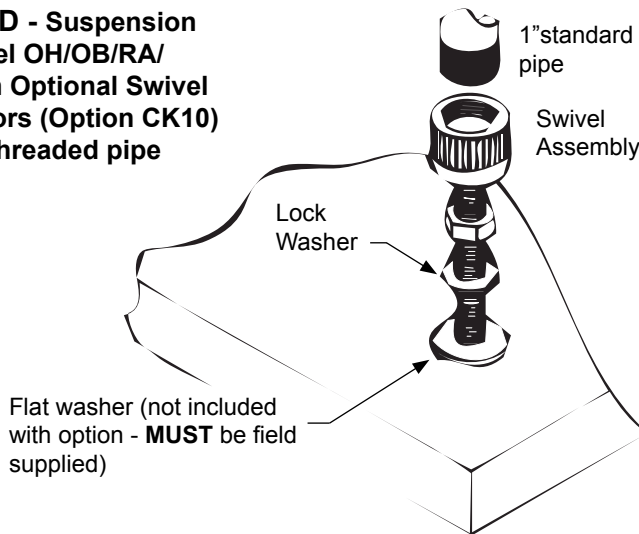


Figure 5D - Suspension of a Model OH/OB/RA/RAD with Optional Swivel Connectors (Option CK10) from 1" threaded pipe

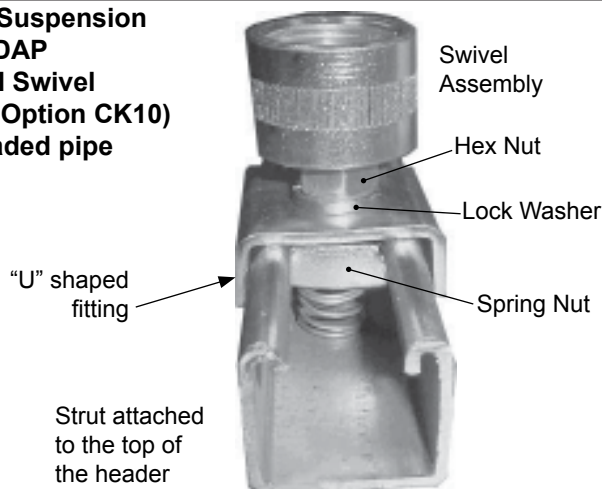


Models OH, OB, RA, RAD - Four field supplied 3/8" or 1/2" flat washers are required.

1. Place a flat washer at the threaded suspension point as illustrated in **Figure 5D**.
2. Put a lock washer on the swivel assembly and screw the swivel connector into the suspension point. Tighten firmly.
3. Repeat the procedure at the other three suspension points.

Installation of the four swivel connectors is complete. Follow the instructions in the heater installation manual to complete the installation.

Figure 5E - Suspension of a Model LDAP with Optional Swivel Connectors (Option CK10) from 1" threaded pipe



Model LDAP

1. Place a lockwasher on the swivel assembly and screw the swivel connector into the suspension point on the "U" fitting. Tighten firmly.
2. Repeat the procedure at the other three suspension points. Be sure the threaded swivel connectors are locked to the heater as illustrated.

Installation of the four swivel connectors is complete. Follow the instructions in the heater installation manual to complete the installation.

Option CK19
Alternate 4-Point
Suspension Points
for Model B Blower
Units

(NOTE: Also applies to obsolete Model BE)

This option is designed so that each suspension point carries a nearly equal load. NOTE: Suspension point dimensions change - see Figure 6B.

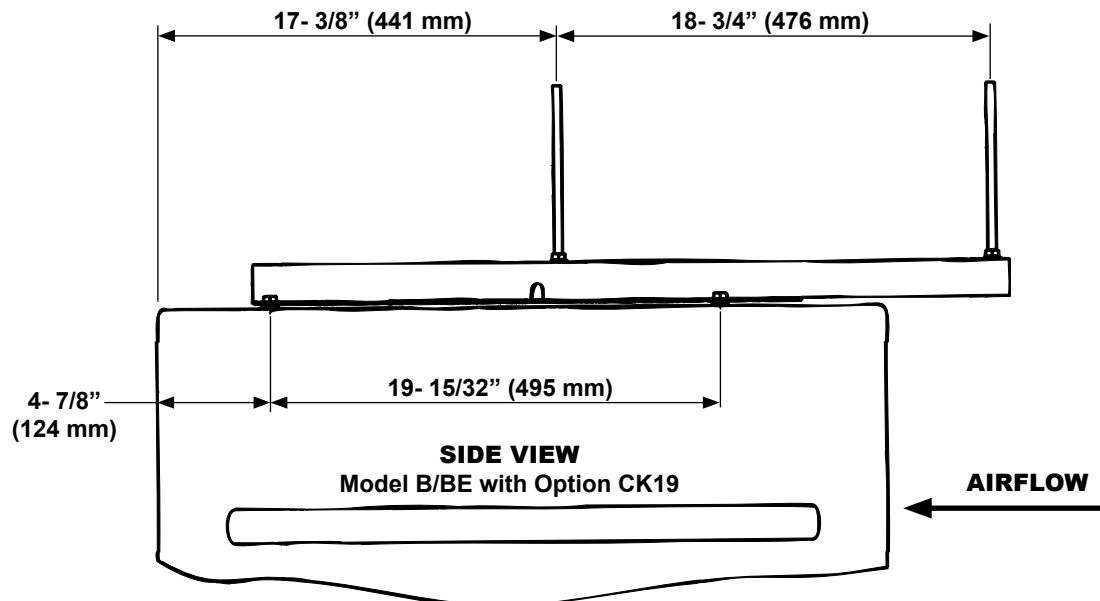
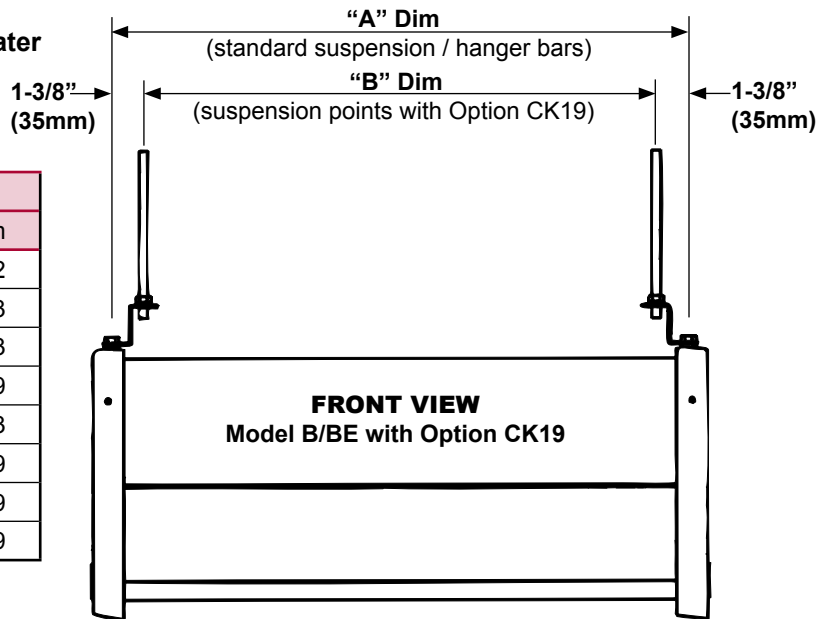
Option CK19 (Package P/N 165742) includes:

Figure 6A
Hanger Kit for Blower
Model B - Option CK19

Qty	Description	P/N
1	Right Side Hanger Bar	162829
1	Left Side Hanger Bar	162830
4	HHD Tap Bolts 3/8-16 NC x 1-1/2"lg Grade 5	114350
8	3/8 Lockwasher	5197

Figure 6B
Suspension Dimensions for Model B Heater
with Hanger Kit Option CK19

Size	"A" Dim		"B" Dim	
	inches	mm	inches	mm
25-50	11-7/8	302	9-1/8	232
75	13-7/8	352	11-1/8	283
100	15-7/8	403	13-1/8	333
125	21-5/8	549	18-7/8	479
165	18-5/8	473	15-7/8	403
200	21-5/8	549	18-7/8	479
250-300	27-1/8	689	24-3/8	619
400	35-3/8	899	32-5/8	829



Option Kits and Instructions (cont'd)

Option CK19 Alternate 4-Point Suspension Points for Model B Blower Units (cont'd)

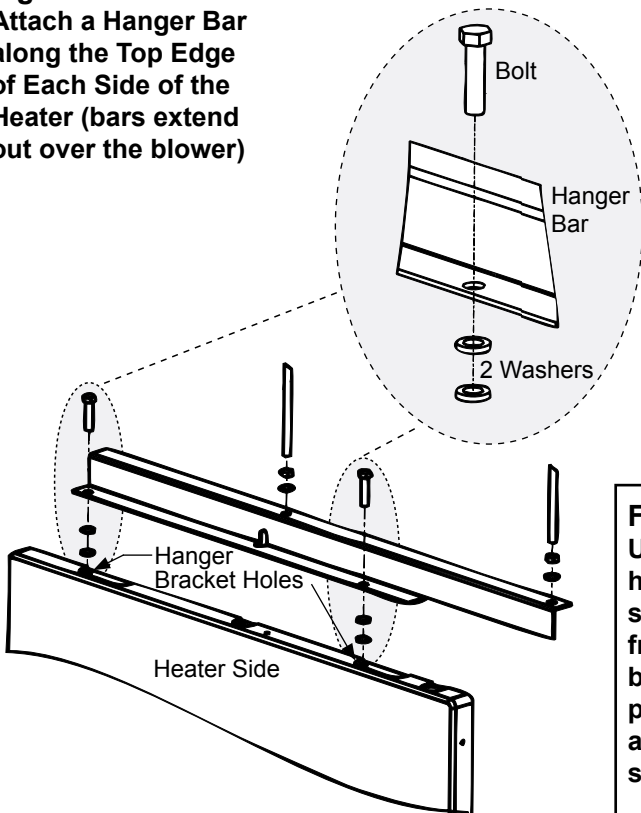
Installation Instructions for Option CK19:

Tools Required - 9/16 Open-End Wrench

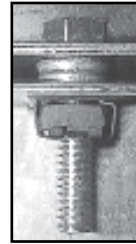
Model B

1. Locate the four hanger bracket holes in the top of the heater cabinet (two on each side).
2. On the side of the heater where the electrical supply connects, carefully place two lockwashers over each hanger bracket hole. From the kit, select the hanger bar with the wider flange and the cutout hole in the center. Position the hanger bar along the top edge of the heater on top of the washers. (Two washers are required between the heater and the hanger bar to allow for the removal of the side panel). Attach the hanger bar with two of the bolts, securing them to the hanger bracket weld nut. See **Figure 6C**.
3. Attach the left side hanger bar the same way using the remaining four washers and two bolts.
4. The heater is ready for suspension from 3/8" threaded hanger rods. Use field supplied hardware to attach the hanger rods as illustrated in **Figure 6D**.

Figure 6C
Attach a Hanger Bar
along the Top Edge
of Each Side of the
Heater (bars extend
out over the blower)

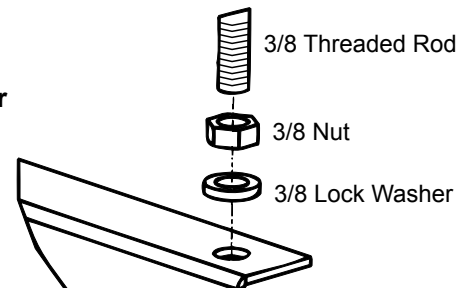


View of hanger bar hardware with heater side panel removed
(for illustration only; **do not remove side panel to install**)



Sequence
Bolt
Hanger Bar
2 Washer
Heater Top Panel
Hanger Bracket Nut (behind the heater side panel; do not remove side panel)

Figure 6D
Use threaded
hanger rods to
suspend the heater
from the hanger
bar suspension
points (hardware
and rods are field
supplied)



Specifications & illustrations subject to change without notice and without incurring obligations.

©Nortek Global HVAC, LLC 2016. All rights reserved.

All marks are the property of their respective organizations.

O'Fallon, MO | Printed in U.S.A. (3/16)

Form I-OPT-HK (3 -16), PN 98346 R6