



Thermostat Options CL18 and CL7

Installation Form RZ-NA I-OPT-T (Version A)
Obsoletes Form RZ-NA I-OPT-T

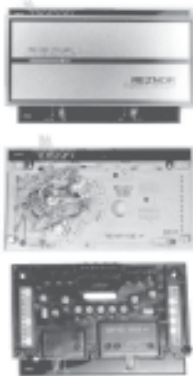
APPLIES TO: All Sizes of Models UDAP, UDAS, UDBP, UDBS with single-stage or two-stage valve; Model LDAP 400 with two-stage valve; Model LDAP 400, 800, and 1200 with single-stage valve

Description and Application

Option CL18 is a two-stage thermostat and subbase with an auto/on fan (blower) switch and an off/auto system switch. **Option CL7** is a two-stage thermostat and subbase with an off/auto system switch. These thermostat options apply to the Reznor Models listed, but the application varies. Select the model and application from the table below and follow the appropriate instructions.

Model	Application	Installation Instructions
UDAP, UDAS, UDBP, UDBS (all sizes) with a two-stage gas valve (Option AG2)	Two stages of heat - Based on the temperature settings, the thermostat is used to provide two stages of heating by controlling operation of the two-stage gas valve.	THIS INSTRUCTION SHEET DOES NOT APPLY. Discard this sheet. Install the thermostat by following the manufacturer's instructions that are provided with the thermostat and the wiring diagram on the heater. Be sure to comply with the requirements for thermostat location.
LDAP 400 with a two-stage gas valve (Option AG2)		
LDAP 800 and LDAP 1200 with single-stage gas valves (AG1)	Staged heat sections - Based on the temperature settings, first stage fires one heat section on a Model 800 or one or two heat sections on a Model 1200. Second stage fires all heat sections.	
UDAP, UDAS, UDBP, UDBS, and LDAP (all sizes) with single stage gas valve(s) (AG1)	Recirculation and Single Stage Heat - Based on the temperature settings, first stage provides automatic fan or blower only recirculation (no heat) and the second stage fires the unit at full fire.	

Kit Components



Two-Stage Thermostat with Subbase

P/N 197265, Option CL18 Thermostat Kit for Model LDAP, UDAP, UDAS, UDBP, or UDBS includes:

Qty	P/N	Description
1	93436	Two-Stage Thermostat, Honeywell #T874F1130, with Subbase, Honeywell #Q674C1009
1	123942	Thermostat Terminal Jumper
1	197264	Instruction Sheet, Form I-OPT-T

P/N 208945, Option CL7 Thermostat Kit for Model LDAP, UDAP, UDAS, UDBP, or UDBS includes:

Qty	P/N	Description
1	93435	Two-Stage Thermostat, Honeywell #T874F1130 with Subbase, Honeywell #Q674G
1	197264	Instruction Sheet, Form I-OPT-T

Installation Instructions for Automatic Fan or Blower Only Recirculation Control and Single-Stage Heating

Installation Instructions

WARNING: Improper installation, adjustment, alteration, service, or maintenance can cause property damage, injury or death. Read the installation, operation, and maintenance instructions thoroughly before installing or servicing this equipment.

Installation Instructions for Automatic Fan or Blower Only Recirculation Control and Single-Stage Heating (cont'd)

NOTE: These instructions DO NOT apply to two-stage heating applications. If using a two-stage gas valve or using the two-stage thermostat for staging heat sections, follow the instructions in the heater installation manual.

1. Install the Thermostat

Install the thermostat according to the manufacturer's instructions. Be careful to comply with the requirements covering the location of the thermostat.

Model UDAS, UDAP, UDBS, or UDBP -- Follow connection diagram in FIGURE 1A or 1B below to connect the 24 volt thermostat wiring.

Model LDAP -- Follow connection diagram in FIGURE 2A, 2B, or 2C, on page 3 to connect the 24 volt thermostat wiring.

2. For future reference, put this instruction sheet with the heater installation manual. Turn on the electric and the gas. Follow the lighting instructions to light the heater. Check for proper operation.

FIGURE 1A - Option CL18 Two-Stage Thermostat Connections for Model UDAP, UDAS, UDBP, or UDBS with Single-Stage Gas Valve and installed to provide recirculation:
1st stage - automatic fan or blower recirculation (no heat)
2nd stage - full fire heat

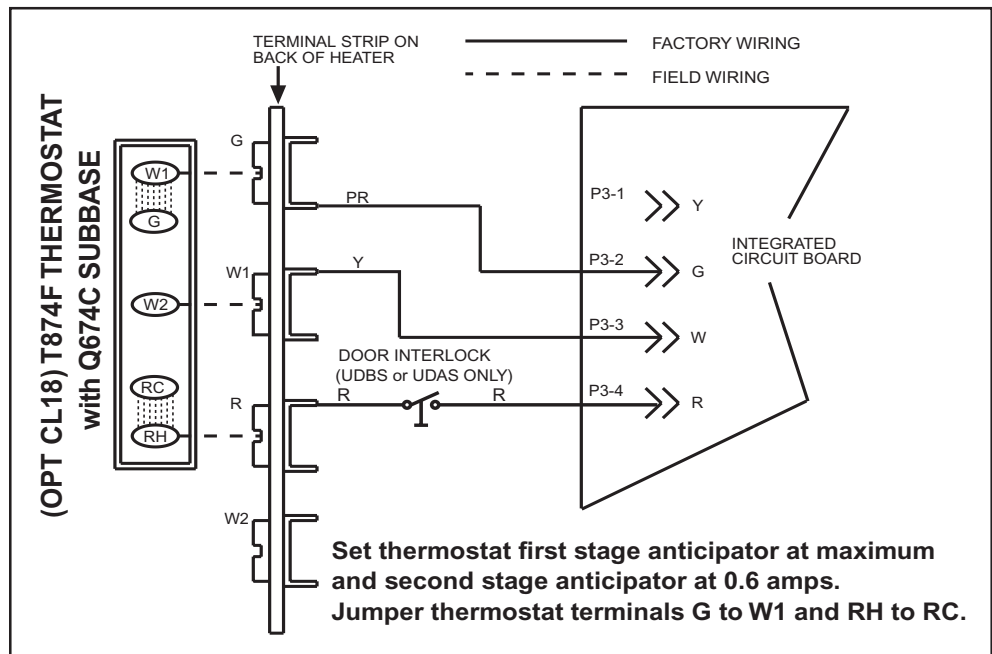
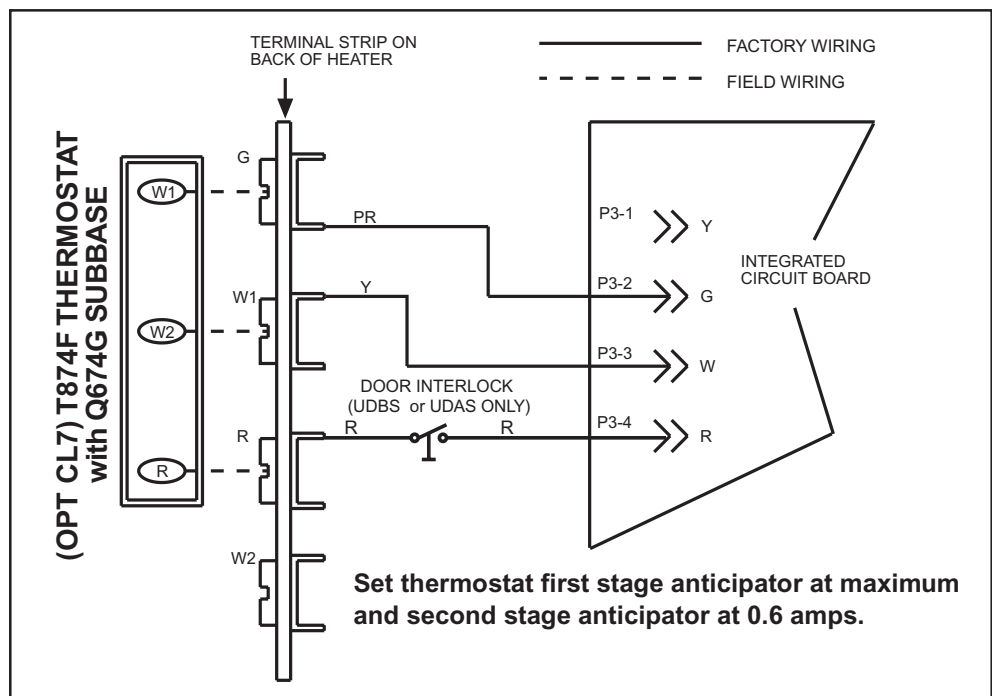
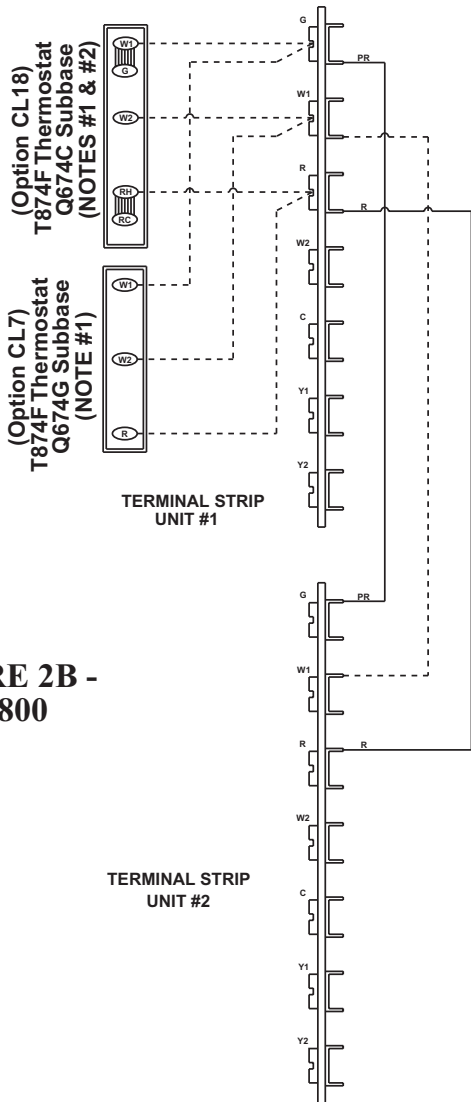
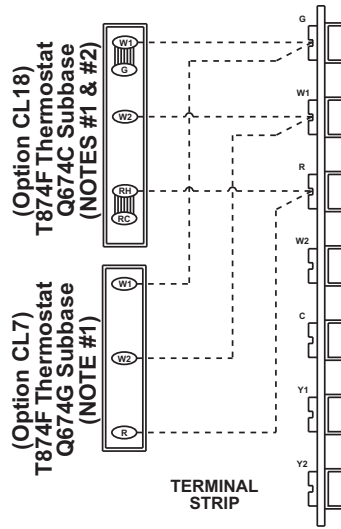


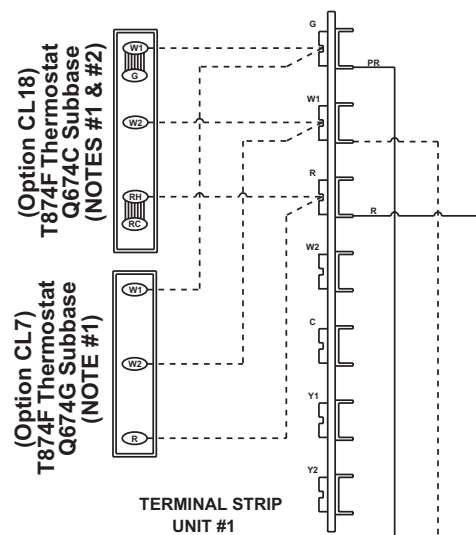
FIGURE 1B - Option CL7 Two-Stage Thermostat Connections for Model UDAP, UDAS, UDBP, or UDBS with Single-Stage Gas Valve and installed to provide recirculation:
1st stage - fan or blower recirculation (no heat)
2nd stage - full fire heat



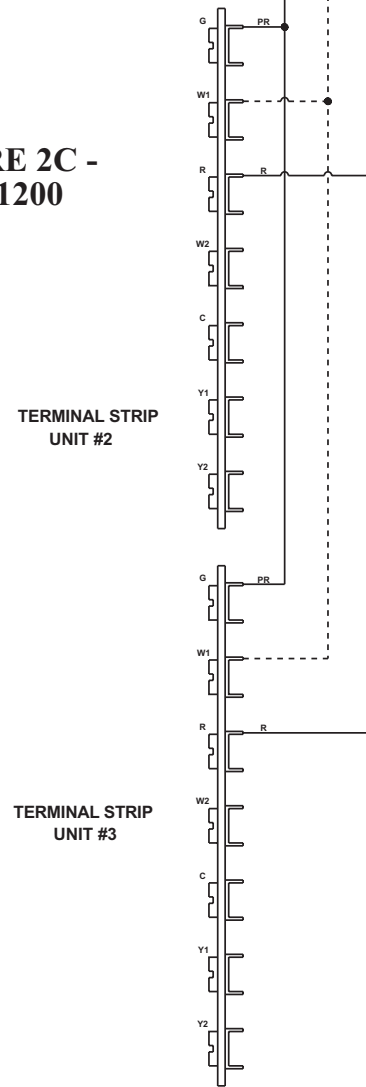
**FIGURE 2A -
LDAP 400**



**FIGURE 2B -
LDAP 800**



**FIGURE 2C -
LDAP 1200**



NOTES:

- 1) Set thermostat first stage anticipator at maximum and second stage anticipator at 0.6 amps.
- 2) Jump thermostat terminals RH to RC and G to W1.



W.D.# 189848 LDAP THERMOSTAT WIRING
Option CL 7 or CL18 Recirculation Application

REZNOR[®]

Form RZ-NA I-OPT-T (Version A), P/N 197264 (Rev 4), page 4

(800) 695-1901;
www.RezSpec.com

©2014 Reznor, LLC. All rights reserved. Printed in the U.S.A.
MANUFACTURER OF HEATING, COOLING, AND VENTILATING SYSTEMS
Trademark Note: Reznor[®], T_{CORE}²[®], and V₃[®] are registered in at least the United States.
0514 Form I-OPT-T (Version A.1)

