

**Installation Form for Vertical Louvers,
Option CD1**

Applies to: V3* Models UDAP, UDAS, UDBP, UDBS, UEAS

Description and Application

Vertical louvers are designed to direct the discharge air to provide a wider throw pattern. These vertical louver option packages apply to unit heater Models UDAP, UDAS, UDBP, UDBS, and UEAS as listed in the table below.

Components

Models UDAS, UDAP, UDBP, UDBS	30, 45	60, 75	100, 125	150, 175, 200	225, 250	300, 350, 400
Model UEAS				130, 180		260, 310
Option Pkg P/N	197097	197098	197099	201199	201200	201201
<i>Components - (qty) and P/N</i>						
Louver Frame Top and Bottom	(2)197056		(2)197189		(2)197190	
Louver Frame Sides	(2)197057	(2)197058	(2)197059	(2)197186	(2)197187	(2)197188
Screws	(20) 195638, #8-18 x 3/8" long, AB point, slotted indented serrated hex washer head					
Louvers	(5)196232	(5)196231	(5)196233	(8)196572	(8)196573	(8)195315
Compression Springs	(5)195046	(5)195046	(5)195046	(8)195046	(8)195046	(8)195046

Installation Instructions

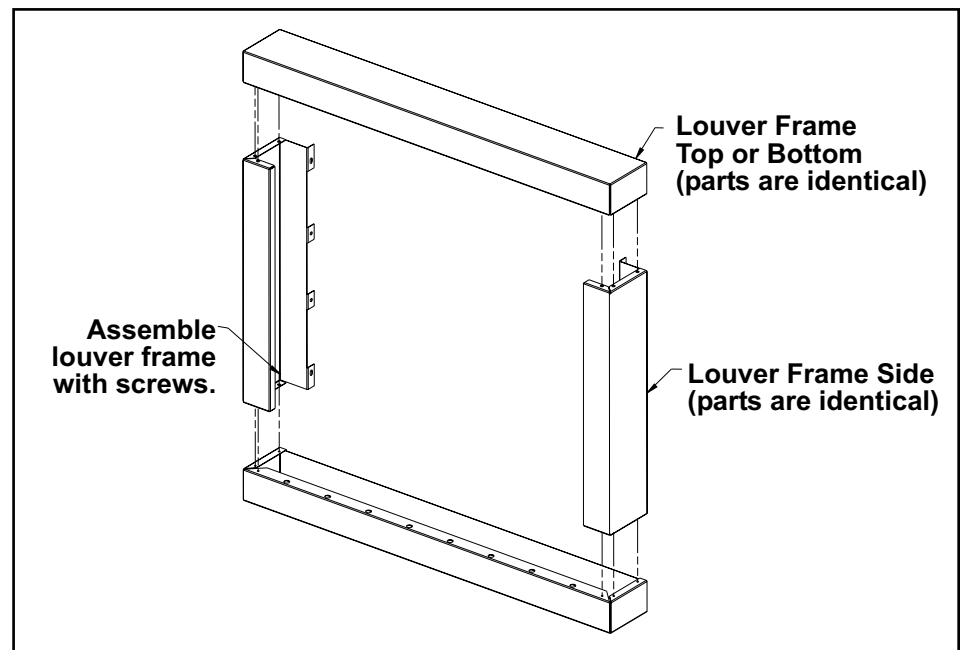
WARNING: Improper installation, adjustment, alteration, service, or maintenance can cause property damage, injury or death. Read the installation, operation, and maintenance instructions thoroughly before installing or servicing this equipment.

Installation should be done by a qualified agency in accordance with these instructions and in compliance with all codes and requirements of authorities having jurisdiction.

1. Assemble the Vertical Louver Frame (See FIGURE 1.)

Using the screws in the kit, attach both sides to the top. (**NOTE:** Top and bottom are identical.) Attach the assembly to the bottom creating a frame.

FIGURE 1 - Assemble the Louver Frame



Installation Instructions (cont'd)

2. If the heater is installed, for your safety, turn off the gas and the electrical power before installing the vertical louvers.

3. Install the Vertical Louver Frame

Position the assembled louver frame in the heater outlet so that the holes in the tabs on each side are lined up with the holes in the heater. (The tabs fit between the horizontal louvers.)

Using the screws in the kit, attach the tabs to the sides of the heater outlet.

4. Install the Vertical Louvers in the Louver Frame Using the Compression Springs (See FIGURE 2.)

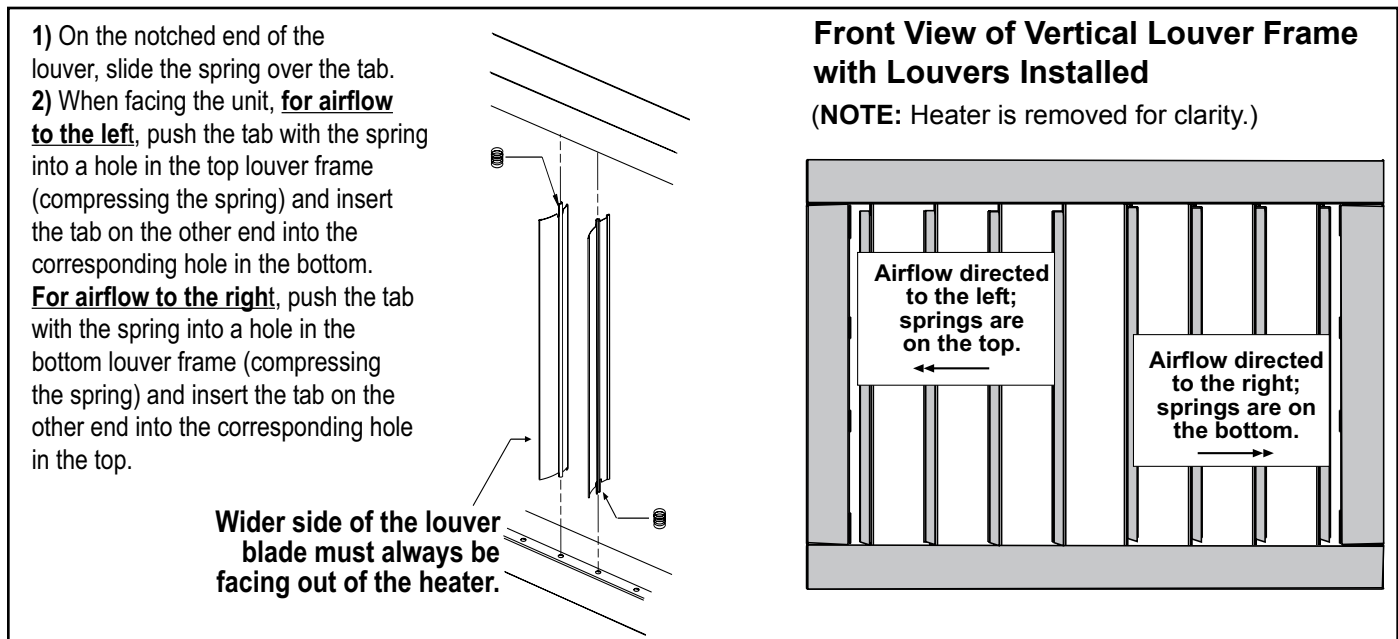
Before actually installing the louvers, note the louver curve and determine how the louvers should be positioned to provide the optimal throw pattern. Depending on where the heater is installed and the desired direction of airflow, louvers may be installed with the curve all the same direction (either way) or the right half one way and the left the other as illustrated in FIGURE 2.

a) **With the wider section facing out of the heater**, place one of the compression springs over the tab on the notched end of the louver.

b) Depending on the throw pattern selected, the end with the spring can go either in the top support or the bottom. See FIGURE 2. Slide the tab with the spring into one of the holes in either the top or bottom support. Push the louver, compressing the spring enough to place the tab on the other end into the corresponding hole in the other support.

c) Continue installing the louvers until all vertical louvers are in place.

FIGURE 2 - Installing Louvers



5. Adjust the horizontal and vertical louvers to provide the desired throw pattern.

CAUTION: To avoid getting burned, adjust louvers while heater is not in operation. If louvers are adjusted while heater is in operation, wear protective gloves.

6. Turn on the electric and the gas. Light by following the lighting instructions on the heater. Check for proper operation.

Specifications & illustrations subject to change without notice and without incurring obligations.

© Nortek Global HVAC, LLC 2016. All rights reserved.

All marks are the property of their respective organizations.

O'Fallon, MO | Printed in U.S.A. (6/16)

Form I-V3-VL (6-16), P/N 197108 R4